

GO Bracket-IPC534AI-Solar

4G LTE Wireless 4MP AI Smart Turret Dome Camera with Night ColorVu and Active Deterrence Light & Audio



GO Bracket-IPC534AI-Solar is a complete and affordable 4G wireless solar powered camera system. It is one of the most highly-integrated cameras with 24/7 Night ColorVu and Active deterrence strobe light and speaker. It can be deployed in sites that even without wired internet and power. It provides professional and intuitive mobile App to remote live view video and playback footage from onboard storage SD card.

Outstanding Features

- Bundled with 100W solar panel, 12V50AH lithium battery and solar charge controller
- Built-in 4G LTE wireless modem, working with AT&T and T-Mobile networks.
- Unlocked, free to use your own SIM card.
- High quality imaging with 4 MP resolution (2688 x 1520)
- 24/7 Night ColorVu with F1.0 large aperture and advanced sensor
- Efficient H.265+ compression technology
- Clear imaging against strong backlight due to 130 dB WDR technology
- AI Smart feature with human and vehicle targets classification based on deep learning
- Active deterrence with strobe light and audio alarm
- Two-way talk with built-in microphone and speaker
- Water and dust resistant (IP67)
- Provide free mobile App for remote live view & playback & configuration
- Comes with wall-mount and pole-mount bracket

Specification

Camera

- Image Sensor: 1/1.8" Progressive Scan CMOS
- Max. Resolution : 2688 × 1520
- Min. Illumination : Color: 0.0005 Lux @ (F1.0, AGC ON), B/W: 0 Lux with white light
- Shutter Time : 1/3 s to 1/100,000 s
- Angle Adjustment: Pan: 0° to 360°, tilt: 0° to 75°, rotate: 0° to 360°

Lens

- Lens Type: Fixed focal lens, 2.8
- Focal Length & FOV: 2.8 mm, horizontal FOV 112°, vertical FOV 61°, diagonal FOV 134°
- Lens Mount: M16; Iris Type: Fixed; Aperture: F1.0

Illuminator

- Supplement Light Type: White Light
- Supplement Light Range: Up to 100ft
- Smart Supplement Light: Yes

Video

- Main Stream: 60 Hz: 30 fps (2688 × 1520, 1920 × 1080, 1280 × 720)
- Sub-Stream: 60 Hz: 30 fps (640 × 480, 640 × 360)
- Third Stream: 60 Hz: 10 fps (1920 × 1080, 1280 × 720, 640 × 480, 640 × 360)
- Video Compression: Main stream: H.265/H.264/H.265+/H.264+
- Sub-stream: H.265/H.264/MJPEG; Third stream: H.265/H.264
- Video Bit Rate: 32 Kbps to 8 Mbps
- H.264 Type: Baseline Profile/Main Profile/High Profile
- H.265 Type: Main Profile
- Bit Rate Control: CBR/VBR
- Scalable Video Coding (SVC): H.264 and H.265 encoding
- Region Of Interest (ROI): 1 fixed region for main stream and sub-stream

Audio

- Audio input: Built-In Microphone; 1x Line input
- Audio output: Built-in Speaker; 1x Line output
- Audio Compression: G.711ulaw/G.711alaw/G.722.1/G.726/MP2L2/PCM/MP3/AAC
- Environment Noise Filtering: Yes

Image

- Image Parameters Switch: Yes
- Image Settings : Rotate mode, saturation, brightness, contrast, sharpness, gain, white balance adjustable by client software or web browser
- Day/Night Switch : Auto, Schedule
- Wide Dynamic Range (WDR) : 130 dB
- Image Enhancement : BLC, HLC, 3D DNR; SNR : ≥ 52 dB

Network

- 4G LTE link speed: CAT4 2x2 MIMO (Up to 150Mbps downlink and 50Mbps uplink)
- Frequency Band (US version): 3G: B2/B4/B5; LTE: B2/B4/B5/B12/B13/B14/B66/B71
- Protocols: TCP/IP, ICMP, HTTP, HTTPS, FTP, DHCP, DNS, DDNS, RTP, RTSP, NTP, UPnP, SMTP, IGMP, 802.1X, QoS, IPv4, IPv6, UDP, Bonjour, SSL/TLS, PPPoE, SNMP, ARP
- Simultaneous Live View: Up to 6 channels
- API : Open Network Video Interface (PROFILE S, PROFILE G, PROFILE T), ISAPI, SDK
- User/Host : Up to 32 users. 3 user levels: administrator, operator and user
- Security>Password protection, complicated password, HTTPS encryption, IP address filter, Security Audit Log, basic and digest authentication for HTTP/HTTPS, TLS 1.1/1.2, WSSE and digest authentication for Open Network Video Interface
- Network Storage : MicroSD/SDHC/SDXC card (256 GB) local storage, and NAS (NFS, SMB/CIFS), auto network replenishment (ANR)
- Together with high-end Hikvision memory card, memory card encryption and health detection are supported.
- Client : VMS-4200, Hik-Connect, Hik-Central
- Web Browser : Plug-in required live view: IE 10+
Plug-in free live view: Chrome 57.0+, Firefox 52.0+
Local service: Chrome 57.0+, Firefox 52.0+

Interface

- Ethernet Interface: 1 RJ45 10 M/100 M self-adaptive Ethernet port
- On-Board Storage: Support microSD/SDHC/SDXC card, up to 256 GB
- Audio: Built-in microphone; Built-in speaker; 1 Line input, 1 Line output (Two-core terminal block, interface type non-equilibrium)
- Alarm: Visual Alarm; 1 Alarm input, 1 Alarm output (max. 24 VDC/24 VAC, 1 A)
- Reset Key: Yes

Event

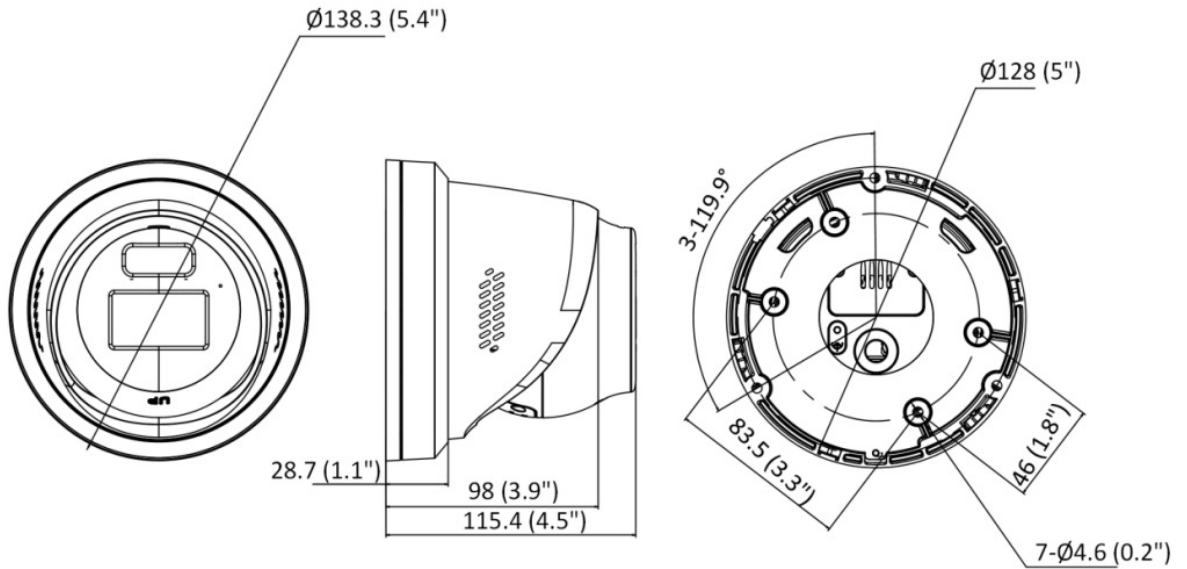
- Basic Event: Motion detection (human and vehicle targets classification), video tampering alarm, exception
- Smart Event : Line crossing detection, intrusion detection, region entrance detection, region exiting detection with human and vehicle targets classification; Scene change detection
- Linkage : Upload to NAS/memory card/FTP, notify surveillance center, trigger recording, trigger capture, send email, audible warning
- Face Capture : Yes

Solar Power

- 12V 100 Watt Monocrystalline Solar Panel (Dimension: 42.2 x 19.6 x 1.38in or 1074 x 498 x 35mm; Weight: 16.5 lbs or 7.5 kg)
- 12V 600WH lithium battery with BMS protection
- Solar charge controller
- Panel bracket is included

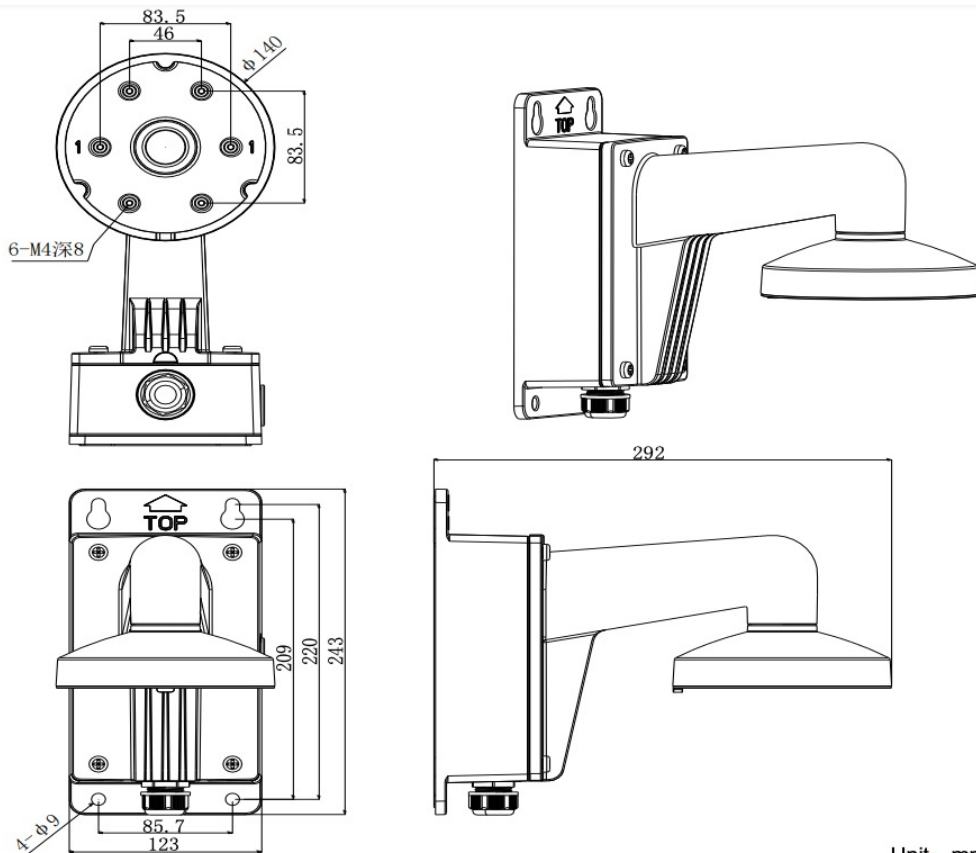
Dimension

Camera



Unit: mm (inch)

Pole Mount Bracket with Back Box



Unit: mm

*Disclaimer: Design and specifications are subject to changes without prior notice.