

## GO SOLO P8

4G LTE Solar Power Camera Kit with 4K AI Smart Dual-Lens Panoramic Camera



### Outstanding Features

- Complete solar power camera kit, easy to install and setup
- 444Wh high capacity lithium battery to keep system running around 72 hrs in raining days
- Built-in unlocked industrial 4G LTE router, compatible to AT&T, T-Mobile and Verizon (SIM Card is not included)
- Dual-Lens Stitched 180° Panoramic View
- Ultra HD 4K resolution (5120 x 1440)
- 24/7 Night ColorVu with F1.0 large aperture and advanced sensor
- Advanced H.265+ compression for efficient low-bandwidth transmission
- 130 dB WDR technology, Water and dust-resistant (IP67)
- AI Smart event with human and vehicle targets classification
- Active deterrence with strobe light and audio alarm
- Two-way talk with built-in microphone and speaker
- Onboard 256GB storage for one month continuous recording
- Free mobile App for both Android & iOS (App name: Guarding Vision)
- Optional API document for 3rd party system integration

### What is included in this camera:

- 80W Solar panel and pole mount bracket
- 444Wh lithium battery with built-in charge controller
- One 4K dual-lens panoramic camera (IPC7P8AI-CSL)
- Built-in 4G LTE cellular router (SIM card needs to purchase separately)
- 256GB SD Card

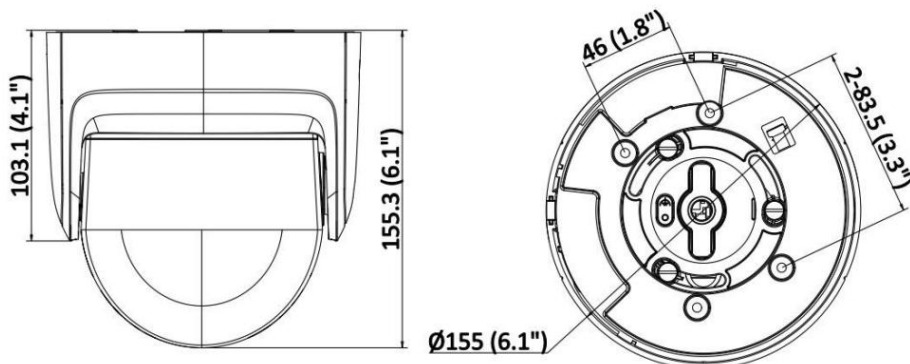
## Camera Specification

Camera	
Image Sensor	2 × 1/1.8" Progressive Scan CMOS
Max. Resolution	5120 × 1440
Min. Illumination	Color: 0.0005 Lux @ (F1.0, AGC ON), 0 Lux with light
Shutter Time	1/3 s to 1/100,000 s
Angle Adjustment	Pan: -30° to 30°, tilt: -75° to 75°
Lens	
Lens Type	Fixed focal lens, Dual lens: 4 mm
Focal Length & FOV	Horizontal FOV: 180° ± 10°; Vertical FOV: 44°
Lens Mount	M16
Iris Type	Fixed
Aperture	F1.0
Depth of Field	3.6 m to ∞
DORI	
DORI	4 mm, D: 77 m, O: 30 m, R: 15 m, I: 7 m
Illuminator	
Supplement Light Type	White Light
Supplement Light Range	Up to 40 m
Smart Supplement Light	Yes
Video	
Main Stream	When WDR is On: 50 Hz: 12.5 fps (5120 × 1440) / 60 Hz: 15 fps (5120 × 1440) When WDR is Off: 50 Hz: 20 fps (5120 × 1440) / 60 Hz: 20 fps (5120 × 1440)
Sub-Stream	When WDR is On: 50 Hz: 12.5 fps (1920 × 536, 960 × 272) / 60 Hz: 15 fps (1920 × 536, 960 × 272) When WDR is Off: 50 Hz: 20 fps (1920 × 536, 960 × 272) / 60 Hz: 20 fps (1920 × 536, 960 × 272)
Video Compression	Main stream: H.265+/H.265/H.264+/H.264 Sub-stream: H.265/H.264/MJPEG
Video Bit Rate	32 Kbps to 16 Mbps
H.264 Type	Baseline Profile, Main Profile, High Profile
H.265 Type	Main Profile
Bit Rate Control	CBR, VBR
Scalable Video Coding (SVC)	H.264 and H.265 encoding
Region of Interest (ROI)	1 fixed region(s) for main stream
Audio	
Audio Type	Mono sound
Audio Compression	G.711/G.722.1/G.726/MP2L2/PCM/MP3/AAC-LC
Audio Bit Rate	64 Kbps (G.711ulaw/G.711alaw)/16 Kbps (G.722.1)/16 Kbps (G.726)/32 to 192 Kbps (MP2L2)/8 to 320 Kbps (MP3)/16 to 64 Kbps (AAC-LC)
Audio Sampling Rate	8 kHz/16 kHz/32 kHz/44.1 kHz/48 kHz
Environment Noise Filtering	Yes
Network	
Protocols	TCP/IP, ICMP, HTTP, HTTPS, FTP, DHCP, DNS, DDNS, RTP, RTSP, NTP, UPnP, SMTP, IGMP, 802.1X, QoS, IPv6, UDP, Bonjour, SSL/TLS, PPPoE, SNMP
Simultaneous Live View	Up to 6 channels
API	Open Network Video Interface (Profile S, Profile G, Profile T), ISAPI, SDK, ISUP
User/Host	Up to 32 users 3 user levels: administrator, operator, and user
Security	Password protection, complicated password, HTTPS encryption, 802.1X authentication (EAP-MD5), watermark, IP address filter, basic and digest authentication for HTTP/HTTPS, WSSE and digest authentication for Open Network Video Interface, RTP/RTSP over HTTPS, control timeout settings, security audit log, TLS 1.2, host authentication (MAC address)
Network Storage	NAS (NFS, SMB/CIFS), Auto Network Replenishment (ANR), NVR, Together with high-end Hikvision memory card, memory card encryption and health detection are supported.
Web Browser	Plug-in required live view: IE 10, IE 11 , Plug-in free live view: Chrome 57.0+, Firefox 52.0+, Local service: Chrome 57.0+, Firefox 52.0+
Image	
Image Parameters Switch	Yes
Image Settings	saturation, brightness, contrast, sharpness, gain, white balance, adjustable by client software or web browser
Day/Night Switch	Day, Night, Auto, Schedule
Wide Dynamic Range (WDR)	130 dB
SNR	≥ 52 dB
Image Enhancement	BLC, HLC, 3D DNR

## Specification

<b>Interface</b>	
Ethernet Interface	1 RJ45 port
On-Board Storage	Built-in memory card slot, support microSD/microSDHC/microSDXC/TF card, up to 256 GB
Built-in Microphone	Yes
Built-in Speaker	Max. power consumption: 1.2 W, max. sound pressure: 10 cm: 95 dB
Audio	1 input (line in), terminal block, max. input amplitude: 3.3 Vpp, input impedance: 4.7 K $\Omega$ , interface type: non-equilibrium, 1 output (line out), terminal block, max. output amplitude: 3.3 Vpp, output impedance: 100 $\Omega$ , interface type: non-equilibrium
Alarm	1 input, 1 output (max. 24 VDC, 1 A)
Reset Key	Yes
<b>Event</b>	
Basic Event	Motion detection (support alarm triggering by specified target types (human and vehicle)), alarm input and output, flashing alarm light output, audible alarm output, exception
Smart Event	Line crossing detection, intrusion detection, region entrance detection, region exiting detection (support alarm triggered by specified target types (human and vehicle)), scene change detection
Linkage	Upload to FTP/NAS/memory card, notify surveillance center, send email, trigger alarm output, trigger recording, trigger capture, audible warning, white light flashing
<b>Deep Learning Function</b>	
Perimeter Protection	Line crossing, intrusion, region entrance, region exiting (support alarm triggering by specified target types (human and vehicle))
<b>General</b>	
Power	12 VDC $\pm$ 25%, 0.79 A, max. 9.5 W, $\varnothing$ 5.5 mm coaxial power plug, PoE: 802.3af, Class 3, 36 V to 57 V, 0.29 A to 0.18 A, max. 10.5 W
Material	Base: metal, cover: metal
Dimension	$\varnothing$ 155 mm $\times$ 155.3 mm ( $\varnothing$ 6.1" $\times$ 6.1")
Package Dimension	230 mm $\times$ 230 mm $\times$ 230 mm (9" $\times$ 9" $\times$ 9")
Weight	Approx. 1110 g (2.4 lb.)
With Package Weight	Approx. 1900 g (4.2 lb.)
Storage Conditions	-30 $^{\circ}$ C to 60 $^{\circ}$ C (-22 $^{\circ}$ F to 140 $^{\circ}$ F). Humidity 95% or less (non-condensing)
Startup and Operating Conditions	-30 $^{\circ}$ C to 60 $^{\circ}$ C (-22 $^{\circ}$ F to 140 $^{\circ}$ F). Humidity 95% or less (non-condensing)
Language	33 languages: English, Russian, Estonian, Bulgarian, Hungarian, Greek, German, Italian, Czech, Slovak, French, Polish, Dutch, Portuguese, Spanish, Romanian, Danish, Swedish, Norwegian, Finnish, Croatian, Slovenian, Serbian, Turkish, Korean, Traditional Chinese, Thai, Vietnamese, Japanese, Latvian, Lithuanian, Portuguese (Brazil), Ukrainian
General Function	Anti-flicker, heartbeat, password reset via email, password protection, one-key reset
Flashing Light	Yes
<b>Approval</b>	
EMC	FCC: 47 CFR Part 15, Subpart B, CE-EMC: EN 55032: 2015, EN 61000-3-2:2019, EN 61000-3-3: 2013+A1:2019, EN 50130-4: 2011 +A1: 2014, RCM: AS/NZS CISPR 32: 2015, IC: ICES-003: Issue 7
Safety	UL: UL 62368-1, CB: IEC 62368-1: 2014+A11, CE-LVD: EN 62368-1: 2014/A11: 2017
Environment	CE-RoHS: 2011/65/EU, WEEE: 2012/19/EU, Reach: Regulation (EC) No 1907/2006
Protection	IP67: IEC 60529-2013

## Dimension



Unit:mm (inch)

\*Disclaimer: Design and specifications are subject to changes without prior notice.

## 4G LTE Router Specification

4G LTE Bands	<p>US Version: B2/B4/B5/B12/B13/B14/B66/B71@FDD LTE (For North America, AT&amp;T, T-Mobile, Verizon)</p> <p>EU Version: B1/B3/B5/B7/B8/B20/B28A@FDD LTE (For European Countries)</p> <p>AU Version: B1/B2/B3/B4/B5/B7/B8/B28@FDD LTE, B40@TDD LTE (For Australia)</p>
--------------	---

## Solar system Specification

SKU	Solar-S1240P80
Battery Type	Lithium Solar Battery (Li-ion Battery) with built-in charge controller
Nominal Voltage	11.1V
Rated Capacity	40Ah
Energy	444Wh
Charge Voltage Cut-off	12.6V
Maximum Continuous Charge Current	10A
Discharge Under-Voltage Protection	9V
Solar Panel Type	Monocrystalline solar panels, 36 cells
Maximum Power at STC	80W
Optimum Operating Voltage (Vmp)	16.36V
Open-Circuit Voltage (Voc)	19.03V
Optimum Operating Current (Imp)	4.89A
Short-Circuit Current (Isc)	5.16A
Operating Temperature	-4°F to 149°F(-20°C to 65°C)
Panel Leads (Pair)	14 AWG (1.96 ft)
Weight	23.36lbs(10.6kg)
Dimension	20.86 × 32.08 × 3.74 "(530*815*95mm)
IP Rating	IP66