

GO SOLO Thermal

4G LTE Solar Power Camera Kit with Thermal & Optical Bi-spectrum Network Bullet Camera



Outstanding Features

- Innovative 3-in-1 solar panel design, with built-in battery and foldable bracket, super easy to install.
- 444WH battery capacity, about 72 hours operation in rainy days
- 4 Megapixels Quad HD with 24/7 color image
- Highly accurate perimeter detection with thermal imaging
- Temperature measurement and fire detection
- Active deterrence with visual and audio alarm based on AI human/vehicle filtering
- 24x7 video recording for the past 30 days (vary by the recording settings)
- Instant notification and remote monitoring from mobile App
- 4G LTE Cellular wireless connection (Verizon, AT&T and T-Mobile,)

What is included in this camera:

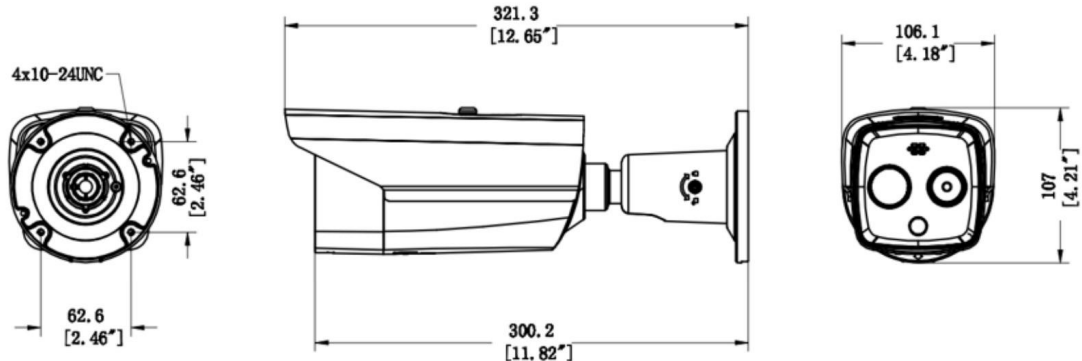
- 80W Solar panel and pole mount bracket
- 444Wh lithium battery with built-in charge controller
- One Thermal & Optical Bi-spectrum Network Bullet Camera (IPC-TO56C-Q3)
- Built-in 4G LTE cellular router (SIM card needs to purchase separately)
- 256GB SD Card

Camera Specification

Thermal Module	
Image Sensor	Vanadium Oxide Uncooled Focal Plane Arrays
Resolution	160 × 120
Pixel Pitch	17 μm
Spectral Range	8 μm to 14 μm
NETD	< 40 mK (@ 25°C, F# = 1.1)
Focal Length	3.1mm
IFOV	5.48 mrad
Field of View	50.0° × 37.2° (H × V)
Min. Focusing Distance	0.2m
Aperture	F1.1
Digital Zoom	× 2, × 4
Optical Module	
Image Sensor	1/2.7" Progressive Scan CMOS
Resolution	2688 × 1520
Min. Illumination	Color: 0.0176 Lux @ (F2.25, AGC ON), B/W: 0.0035 Lux @ (F2.25, AGC ON)
Shutter Speed	1 s to 1/100,000 s
Focal Length	4 mm
Field of View	84.0° × 44.8° (H × V)
Aperture (Range)	F1.6
WDR	120db
Image Effect	
Target Coloration	Yes. Supported in white hot and black hot mode.
Illuminator	
IR Distance	Up to 40 m
IR Intensity and Angle	Automatically adjusted
Audible and Visual Alarm	
White Light Range	Up to 40 m
Visual Alarm	Yes. White light alarm with adjustable flashing frequencies
Audio alarm	Yes, for two types of audible alarm (VCA and Temperature Exception) 2 preset voice alerts (one for each) 6 importable user-defined voice alerts (6 options shared in the two types)
Temperature Measurement	3 temperature measurement rule types, 21 rules in total (10 points, 10 areas, and 1 line)
VCA	4 VCA rule types (line crossing, intrusion, region entrance, and region exiting), up to 8 VCA rules in total
Smart Function	
VCA	4 VCA rule types (line crossing, intrusion, region entrance, and region exiting), up to 8 VCA rules in total.
Temperature Measurement	3 temperature measurement rule types, 21 rules in total (10 points, 10 areas, and 1 line)
Temperature Range	- 4°F to 302°F (- 20°C to 150°C)
Temperature Accuracy	± 14.4°F(± 8°C)
Video and Audio	
Main Stream	Thermal: 25 fps (1280 × 720, 704 × 576, 640 × 480, 352 × 288, 320 × 240) Optical: 50 Hz: 25 fps (2688 × 1520, 1920 × 1080, 1280 × 720) 60Hz: 30 fps (2688 × 1520, 1920 × 1080, 1280 × 720)
Sub-stream	Thermal: 25 fps (704 × 576, 352 × 288, 320 × 240) Optical: 50 Hz: 25 fps (704 × 576, 352 × 288) 60 Hz: 30 fps (704 × 480, 352 × 240)
Video Compression	Main Stream: H.265/H.264 Sub-Stream: H.265/H.264/MJPEG
Audio Compression	G.722.1/G.711ulaw/G.711alaw/MP2L2/G.726/PCM
Network	
Protocols	IPv4/IPv6, HTTP, HTTPS, 802.1x, QoS, FTP, SMTP, UPnP, SNMP, DNS, DDNS, NTP, RTSP, RTCP, RTP, TCP, UDP, IGMP, ICMP, DHCP, PPPoE, SSL
Network Storage	MicroSD/SDHC/SDXC card (up to 256 G) local storage, NAS (NFS, SMB/CIFS), Auto Network Replenishment (ANR)
API	ISAPI, SDK, and third-party management platform, Open Network Video Interface (Profile S, Profile G, Profile T)
Simultaneous Live View	Up to 20 channels
User/Host level	Up to 32 users, 3 levels: Administrator, Operator, User
Security	User authentication (ID and PW), MAC address binding, HTTPS encryption, IEEE 802.1x(EAP-MD5, EAP-TLS), access control, IP address filtering
Client	Guarding Vision
Web Browser	Live view (plug-in allowed): Internet Explorer 11 Live view (plug-in free): Chrome 57.0 +, Firefox 52.0 + Local service: Chrome 57.0 +, Firefox 52.0 +

Interface	
Alarm Input	2, alarm input (0 to 5 VDC)
Alarm Output	2, alarm output (alarm response actions configurable)
Alarm Action	recording/Relay output/Smart capture/FTP upload/Email linkage
Audio Input	1, 3.5 mm Mic in/Line in interface Line input: 2 to 2.4 V [p-p], output impedance: 1 K Ω \pm 10%
Audio Output	Linear level, impedance: 600 Ω
Communication Interface	1, RJ45 10 M/100 M Self-adaptive Ethernet interface. 1, RS-485 interface (half duplex)
Analog Output	1.0 V [p-p]/75 Ω , PAL/NTSC/BNC
General	
Web Client Language	32 languages English, Russian, Estonian, Bulgarian, Hungarian, Greek, German, Italian, Czech, Slovak, French, Polish, Dutch, Portuguese, Spanish, Romanian, Danish, Swedish, Norwegian, Finnish, Croatian, Slovenian, Serbian, Turkish, Korean, Traditional Chinese, Thai, Vietnamese, Japanese, Latvian, Lithuanian, Portuguese (Brazil)
Power Supply	12 VDC \pm 25%, ϕ 5.5 mm coaxial power plug PoE (802.3af, class 3)
Power Consumption	12 VDC \pm 25%: 0.5 A, Max. 6 W PoE (802.3af, class 3): 42.5 V to 57 V, 0.14 A to 0.22 A, Max. 6.5 W
Working Temperature/Humidity	Temperature: - 40°F to 149°F (- 40°C to 65°C) Humidity: 95% or less
Protection Level	IP67 Standard TVS 6000V lightning protection, surge protection, voltage transient protection, IK10-rated housing
Dimensions	14.10" \times 4.47" \times 4.35" (358.3 mm \times 113.5 mm \times 115.2 mm)
Weight	Approx. 3.88 lb (1.76 kg)

Dimension



Unit: mm [Inch]

4G LTE Router Specification

4G LTE Bands	US Version: B2/B4/B5/B12/B13/B14/B66/B71@FDD LTE (For North America, AT&T, T-Mobile, Verizon) EU Version: B1/B3/B5/B7/B8/B20/B28A@FDD LTE (For European Countries) AU Version: B1/B2/B3/B4/B5/B7/B8/B28@FDD LTE, B40@TDD LTE (For Australia)
--------------	--

Solar system Specification

SKU	Solar-S1240P80
Battery Type	Lithium Solar Battery (Li-ion Battery) with built-in charge controller
Nominal Voltage	11.1V
Rated Capacity	40Ah
Energy	444Wh
Charge Voltage Cut-off	12.6V
Maximum Continuous Charge Current	10A
Discharge Under-Voltage Protection	9V
Solar Panel Type	Monocrystalline solar panels, 36 cells
Maximum Power at STC	80W
Optimum Operating Voltage (Vmp)	16.36V
Open-Circuit Voltage (Voc)	19.03V
Optimum Operating Current (Imp)	4.89A
Short-Circuit Current (Isc)	5.16A
Operating Temperature	-4°F to 149°F(-20°C to 65°C)
Panel Leads (Pair)	14 AWG (1.96 ft)
Weight	23.36lbs(10.6kg)
Dimension	20.86 × 32.08 × 3.74 "(530*815*95mm)
IP Rating	IP66