

IOT-R41

Mini Industrial 4G LTE Router with Low Power Consumption Design



Outstanding Features

Compact & Connected for Small Setups

- Compact design perfect for small embedded apps.
- Global 4G LTE CAT4/3G coverage across multiple carriers.
- Easily connect wired devices via DI/DO and a single port for RS232 or RS485.
- Energy-efficient, with power-saving in idle and standby modes.

Industrial - Grade Build

- Powered by an NXP industrial-grade processor.
- Robust IP30 - protected enclosure.
- Flexible mounting: desk or wall.
- Operates in -40°C to 60°C (-40°F to +140°F).

Navigation & Secure Connectivity

- Built-in GPS and GNSS.
- Supports multiple VPNs for secure remote connections.

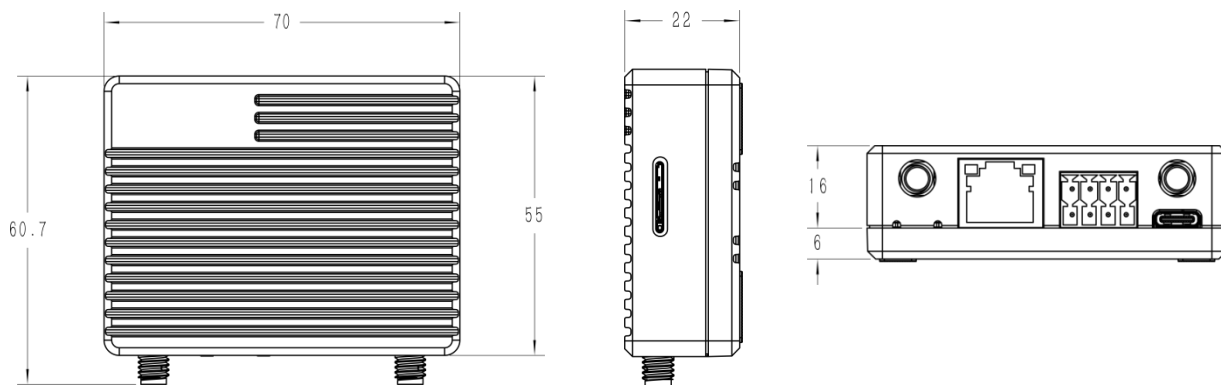
Reliability & Easy Management

- Hardware watchdog for auto-failure recovery, ensuring high availability.
- Supports RemoteMonit (Linovision Cloud Service) management.

Order Models

Model	Band
IOT-R41(US)	LTE-FDD :B2/B4/B5/B12/B13/B25/B26 WCDMA: B2/B4/B5
IOT-R41(EU)	LTE-FDD: B1/B3/B7/B8/B20/B28 WCDMA: B1/B8 GSM/EDGE: B3/B8
IOT-R41(AU)	LTE-FDD: B1/B2/B3/B4/B5/B7/B8/B28/B66 WCDMA: B1/B2/B5/B8 GSM/EDGE: B2/B3/B5/B8

Dimension (mm)



Hardware Specifications

Hardware Platform	
CPU	ARM Cortex-A7, 528 MHz
RAM	128 MB DDR3
Flash	128 MB
Interface	
Network Type	4G LTE (CAT 4)/WCDMA/GSM
Ethernet Port	1 × 10/100 Mbps LAN Port Full or Half Duplex (Auto-Sensing)
Serial Port	1 × RS232 or 1 × RS485 (Configurable via WEB GUI) Terminal Resistor: 1 × 120 Ω Resistor Switch (for RS485) Baud Rate: 300bps to 230400bps
I/O	1 × DI + 1 × DO, Galvanic Isolation 0.3A@30VDC (DO)
Serial & I/O Connector	3.5mm Terminal Block
Power Supply	5-24 VDC, with Surge-Protection and Reverse Polarity Protection, 2-pin 3.5 mm Terminal Block 5V/1A by USB Type-C Port
Reset Button	Pinhole reset button
Built-in	Watchdog, Timer
SIM Card	1 (Nano SIM-4FF)
GNSS	GPS/GLONASS/Beidou/Galileo/QZSS
USB	1 × USB 2.0 (Type-C) for Power Supply, Network Supply and Debug
Antenna Connector	3G/4G: 1 × 50 Ω SMA Connector (Center PIN: SMA Female) GNSS: 1 × 50 Ω SMA Connector (Center PIN: SMA Female)
Mechanical Specs	
Dimensions	70 x 55 x 22 mm (2.76 x 2.17 x 0.87 in)
Weight	103 g (0.23 lbs)
Installation Method	Wall mount, flat surface (all require additional kit)
Protection Rating	IP30
Housing	Metal
Power Rate	
Power Consumption	Idle: 78mA@12V Data link: 226mA (peak)@12V Standby mode: 6.3 mA@12V
Indicator	
LED	1 × SYSTEM, 1 × SIM

Ambient Environment

Storage Temperature	-40°C to +85°C (-40°F to +185°F)
Operating Temperature	-40°C to +60°C (-40°F to +140°F)
Ambient Humidity	0% to 95% (Non-condensing)
Ethernet Isolation	1.5 kV RMS

Software Specifications

Software System

Network Protocols	IPv4/IPv6, PPP, PPPoE, SNMP v1/v2c/v3, TCP, UDP, DHCP, RIPv1/v2, OSPF, DDNS, VRRP, HTTP, HTTPS, DNS, ARP, QOS, SNTP, Telnet, SSH, etc.
VPN	DMVPN, IPsec, OpenVPN, PPTP, L2TP, GRE
Security	SPI Firewalls, Access Control (ACL), DMZ, Port Mapping, MAC Binding, DoS&DDoS Protection, Filtering (IP&Domain)
Management	Web, CLI, SMS, On-demand dial up, SNMP v1/v2/v3, DeviceHub, RemoteMonit
AAA	Radius, Tacacs+, LDAP, Local Authentication
Multilevel Authority	Multiple Levels of User Authority
Serial Port	Transparent (TCP Client/Server, UDP), Modbus Master/Slave, Modbus Gateway (Modbus RTU to Modbus TCP)

Package Contents



IOT-R41



Cellular Antenna



Power Adapter



GPS Antenna



Wall Mounting
Bracket with Screws



Network Cable



Screw Bag



User Manual