



# 1-Port 10/100/1000Mbps High Power PoE Midspan Injector



POE-IN30W

## Key Features:

**Ports:** Provide 2\*10/100/1000Mbps Ethernet ports

**PoE Standard:** IEEE802.3af/at Power over Ethernet (PoE) Compliant

**Total Power:** Total power budget of 30W for all single PoE ports

**Self-adaption:** RJ45 port supports 10/100/1000Mbps Auto MDI/MDIX

**Wide Application:** Designed for Wifi AP and IP Security camera.VoIP etc

**Surge protection:** Protect the device from lightning surges and others electrical hazards

**Considerate Design:** Exquisite compact size.wall mounted with fanless design

**Easy to use:** Plug and play, No configuration required

## PoE with High Power, Security, Stability and Easy Installation Features

As the applications of Power over Ethernet have expanded to home users from the IT industry. We have developed a new Single-Port PoE+ Injector which meets the requirements of both the IT industry and home users for high wattage output and easy installation, respectively.

The POE injector is a wall-mountable, single-port **Gigabit 802.3at PoE+ injector** with internal power supply in compact housing. Carrying both Ethernet data and power simultaneously, the POE injector helps users to utilize just one Ethernet cable to easily install and deploy IP camera, wireless AP or VoIP phone networking in environments where power outlet is hard to find. It offers an affordable, safe and reliable power solution for cost-conscious business and home users deploying Power over Ethernet networks.

## All-in-One and Compact-size Design

With concepts of "Easy to install", "Plug and Play" and "Simple troubleshooting" for business and home users, the PoE injector is an all-in-one, single-port PoE+ injector with internal power supply. In the compact size housing and it provides one 100-240V AC input socket on its front panel, two LEDs (System POWER and PoE ACTIVE ) on the top side and two RJ45 ports (POE port and LAN port) on the rear panel. Simply plug in the Ethernet cables and power cord, It is ready to provide high-speed network communication and high power PoE+ injector functions simultaneously with no need of software configuration.

## Quick and Easy Cabling Installation for PoE Network Deployment

Complying with both 802.3af and 802.3at PoE+ standards, the POE Injector allows users to flexibly deploy standard and high powered devices to transfer data and power simultaneously through one Ethernet cable for up to 100 meters. It also frees the security IP camera and wireless AP deployment from restrictions of power outlet locations and the additional AC wiring. It thus reduces cables and eliminates the need for electrical outlets on the wall, ceiling or any unreachable place, and most of all, it reduces installation time

# POE-IN30W

2 ports 10/100/1000Mbps high Power PoE Midspan Injectors

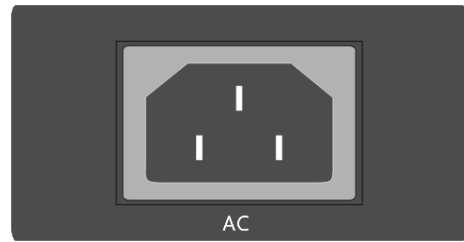
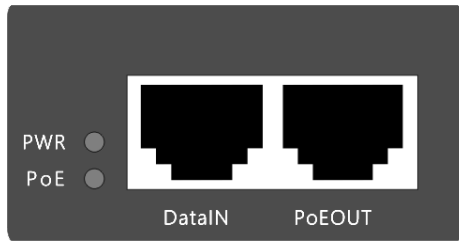
## Technical Datasheet

Model	POE-IN30W
Hardware Specifications	
Interface	"Data" Input Port: 1 x RJ45 STP "PoE (Data + Power)" Output Port: 1 x RJ45 STP AC Input Power Socket: 1
LED Indicator	System: Power x 1 (Green) PoE Port: Active, PoE ready-in-use x 1 (Green)
Network Cable	10BASE-T: 2-pair UTP Cat. 3, 4, 5, up to 100M (328ft) 100BASE-TX: 2-pair UTP Cat. 3, 4, 5, up to 100M (328ft) 1000BASE-T: 2-pair UTP Cat. 5, 5e, 6 up to 100M (328ft) EIA/TIA-568 100-ohm STP (100m)
Data Rate	10/100/1000Mbps
Unit Output Voltage	DC 50-56V
PoE Supply Type	1/2(+), 3/6(-) End-span
Power Consumption	30 watts
Number of Devices that can be powered	1
Power requirement	AC100-240V 50/60Hz
Environment specification	Operating temperature: -10°C~45°C, operating humidity: 10%~90% Storage temperature: -20°C~70°C, storage humidity: 5%~95%
Weight	0.2kg
Power over Ethernet (PoE) Specifications	
Network standard	IEEE 802.3 10BASE-T Ethernet IEEE 802.3u 100BASE-TX Fast Ethernet IEEE 802.3ab 1000BASE-T Gigabit Ethernet IEEE 802.3at High Power over Ethernet Plus IEEE 802.3af Power over Ethernet
PoE Standard	IEEE 802.3af Power over Ethernet/PSE IEEE 802.3at Power over Ethernet Plus/PSE
PoE Supply Type	4/5(+), 7/8(-) Mid-span
Safety	FCC Part15 Class A,CE,RoHs

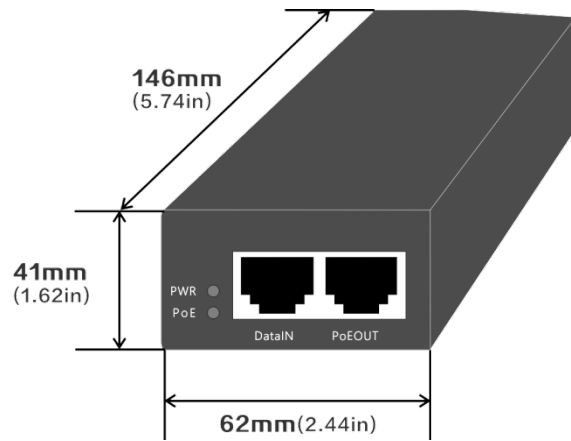
# POE-IN30W

2 ports 10/100/1000Mbps high Power PoE Midspan Injectors

## Interfaces



## Structure Diagrams



## Applications

