

POE-IN9001-SOLAR

Industrial single port Gigabit IEEE802.3bt 90W PoE Injector, Wide voltage DC 10.8 to 57V Input



POE-IN9001-SOLAR is an Industrial single port Gigabit IEEE802.3bt 90W PoE Injector features DC inputs ranging from 10.8 to 57V and includes a Voltage Booster. It offers 1 10/100/1000Mbps Ethernet port and 1 10/100/1000Mbps PoE port. Designed to meet critical industrial standards for reliability and performance, this PoE Injector boasts a wide operating temperature range and 6KV surge immunity. This PoE Injector is particularly well-suited for solar power systems requiring standard PoE output.

Outstanding Features

- **Full Gigabit BT 90W PoE Injector:** Converts single ethernet port to IEEE802.3af/at/bt 90W PoE++ port with 10M/100M/1000Mbps auto adaptive and auto MDI/MDIX crossover.
- **DC 10.8 to 57V Voltage Booster:** Supports DC input voltage ranging from 10.8 to 57V and provides IEEE 802.3af/at/bt PoE output with built-in voltage booster functionality.
- **Standard PoE:** This PoE injector utilizes a hardware-based IEEE 802.3af/at/bt PoE chipset and is compatible with both Mode A and Mode B PD (Powered Device) devices. It adheres to the standard PD detection, classification, and power-on procedures to prevent damage to compliant PD devices.
- **INDUSTRIAL DESIGN:** IP40 Metal shell & fanless design. Supports DIN-rail or wall mounted installation. Wide working temperature -40°F to $+176^{\circ}\text{F}$ (-40°C to 80°C) and 6KV surge immunity.
- **PLUG-N-PLAY:** Simply plug in the Ethernet cables and power cord, no configuration is needed.

Specification

POE-IN9001-SOLAR	
Mechanical	
Dimensions (W*H*D)	3.74×2.75×1.14"(95×70×29mm)
Input Power	10.8 to 57V DC (Terminal Block)
Weight	0.55 lb(0.25 kg)
Material	Aluminum
Installation	DIN-rail Installation; Wall-mounted Installation
Interface	
Connector	1* 10/100/1000Mbps PoE RJ45 Ports 1* 10/100/1000Mbps Ethernet RJ45 Ports
Ethernet	
Processing Type	Forward
Forward Filtering Rate	14,88000pps (1000Mbps)
PoE Standard	IEEE802.3 af/at/bt
PoE Budget	90W(Power adapter is not included)
Environmental	
Operating Temperature	-40°F to 167°F(-40°C to 75°C)
Storage Temperature	-40°F to 185°F(-40°C to 85°C)
Operating Humidity	5% to 95% non-condensing
MTBF	> 200,000 hrs

Package Contents



POE-IN9001-Solar



DIN-Rail Mounting Accessory

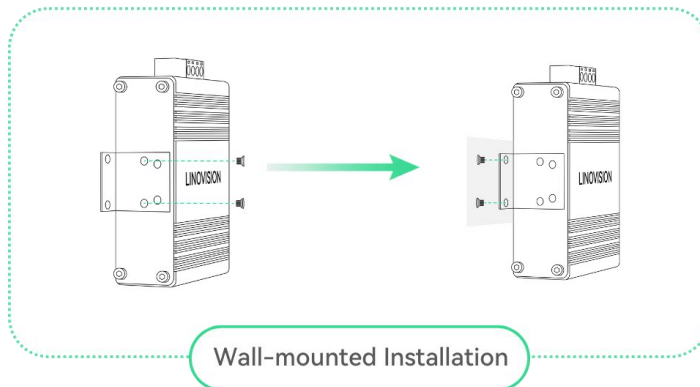
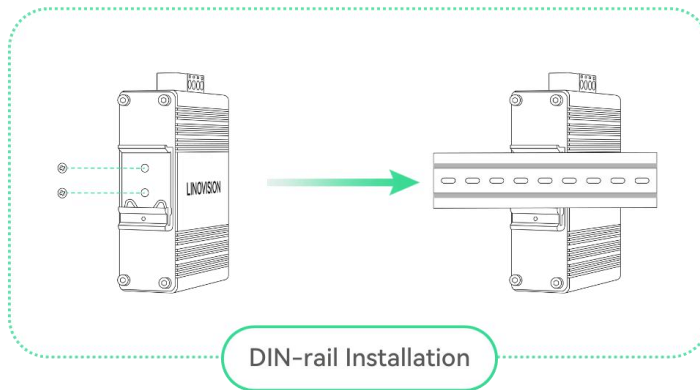


Wall Mounting Accessory



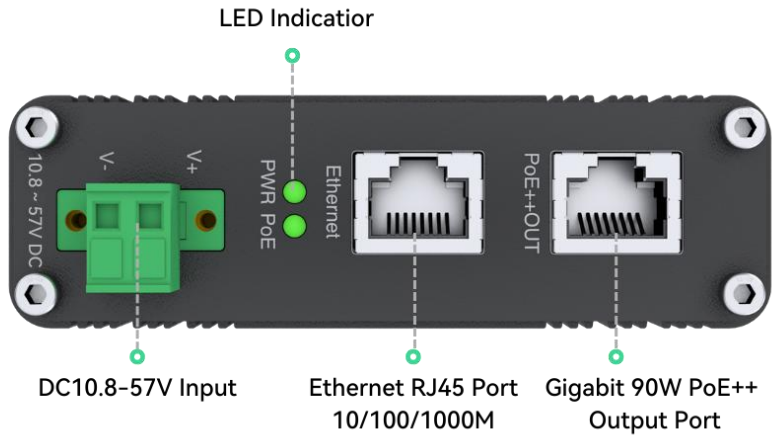
User Manual

Installation



Interface

Front view



Side view



Dimension



Weight:250g (0.551 lb)

Disclaimer: Technical specifications may subject to change without prior notice.