

POE-SP1224POE

Industrial Gigabit 30W PoE+ Splitter with Switchable DC 12V/24V Output and Passive PoE Output



Outstanding Features

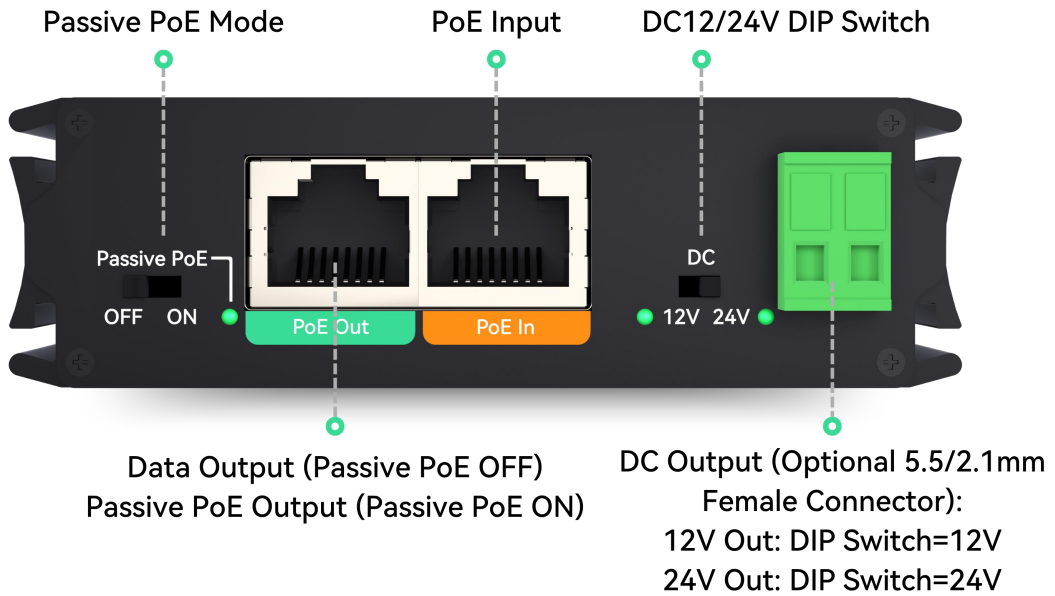
- **30W PoE Splitter:** Split IEEE802.3af/at PoE to DC and Data Output (or Passive PoE).
- **DC12V/ DC24V Output:** For Non-POE IP cameras, access reader terminals, IP speakers, Routers, etc.
- **Optional Passive PoE Output:** Provide forced Passive 12V/24V PoE output for wireless AP, Wireless bridges or other terminals. (Not recommended for regular devices).
- **Gigabit Speed:** All ports support 10M/100M/1000Mbps transmission bandwidth.
- **Flexible Installation:** Supports both DIN-rail and wall-mount installation for easy deployment in industrial control cabinets, surveillance systems, wireless bridge setups, and other applications.

Specifications

Mechanical Specs	
Dimensions (W*H*D)	82 × 25 × 53.6 mm (3.2 × 0.98 × 2.11 in)
Weight	99g (0.218 lb)
Material	Aluminum
Installation	DIN-Rail/Wall-Mount
Interfaces	
PoE Input	Ethernet Port: 1 * 10/100/1000Base-T RJ45 PoE Standard: IEEE 803.2af/at Power Supply: Mode A & Mode B
Passive PoE Output	Ethernet Port: 1 * 10/100/1000Base-T RJ45 Power Pin Assignment: 4/5 (+), 7/8 (-)
Passive PoE DIP Switch	Passive PoE or Data only output
DC Output	5.5/2.1 mm Female DC Jack (with accessory) and Terminal Block Connector (Dual-Use)
DC DIP Switch	12 V/24 V DC and Passive PoE voltage output
Grounding	Grounding Terminal
Environment	
Operating Temperature	-40°C to 75°C (-40°F to 167°F)
Storage Temperature	-40°C to 85°C (-40°F to 185°F)
Humidity	0% to 95% non-condensing
Surge Protection	1500 V
Electrostatic Standard	HBM ±2000 V, CDM ±750 V

Interface

Front View

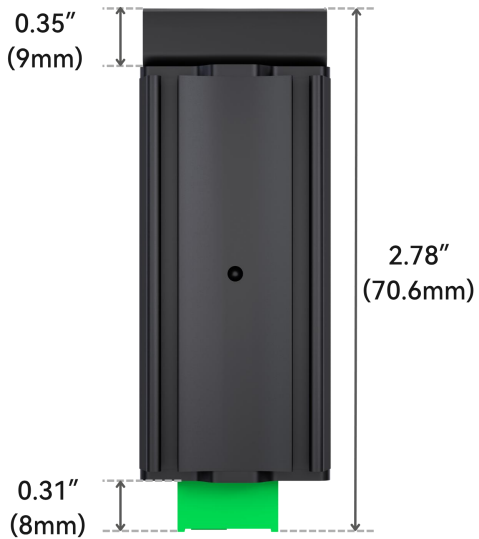
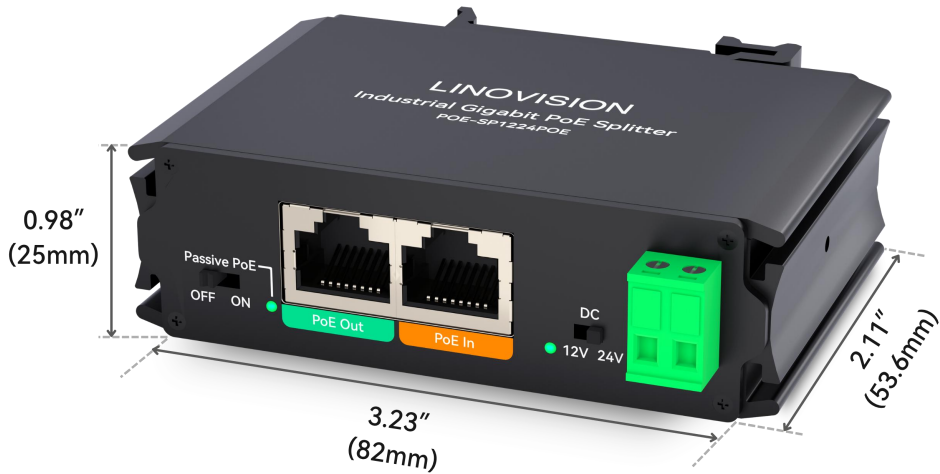


Rear View

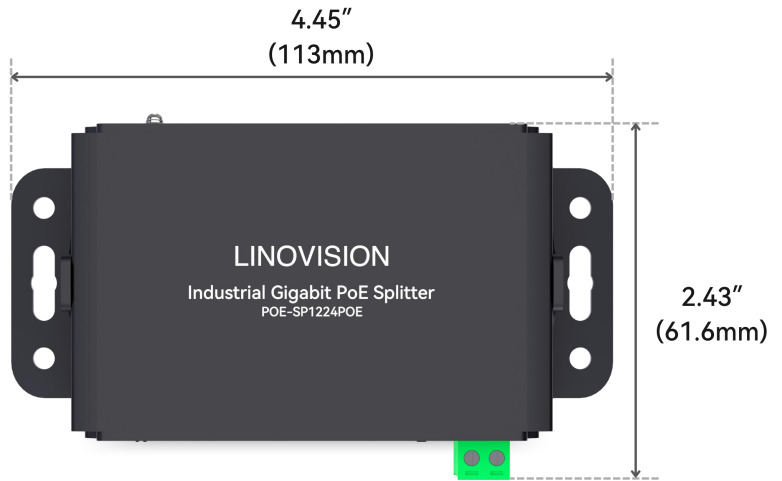


Noted: Passive PoE and DC output operate at the same voltage and the total power is up to 25W.

Dimension



DIN-rail Installation

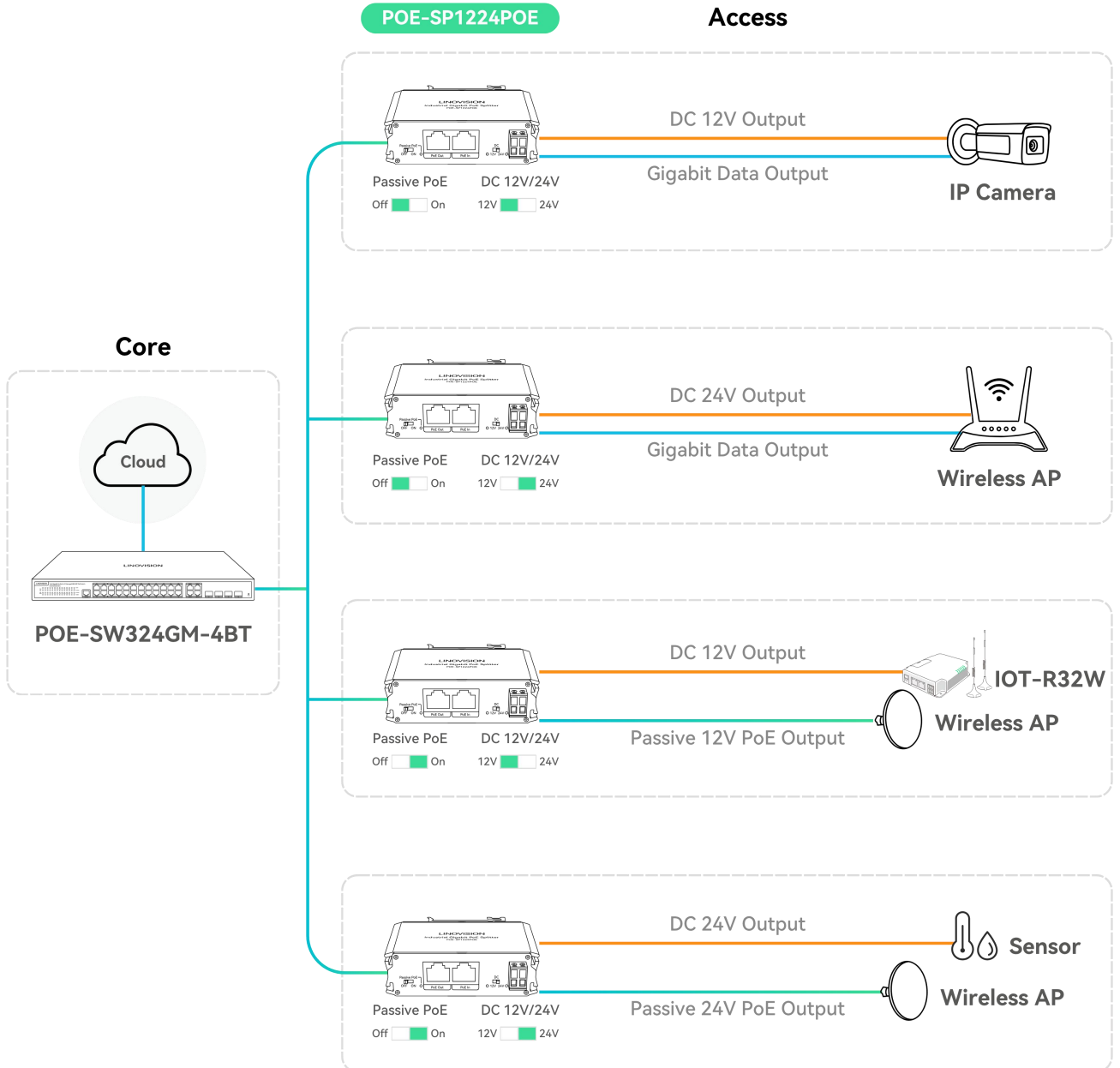


Wall-mount Installation

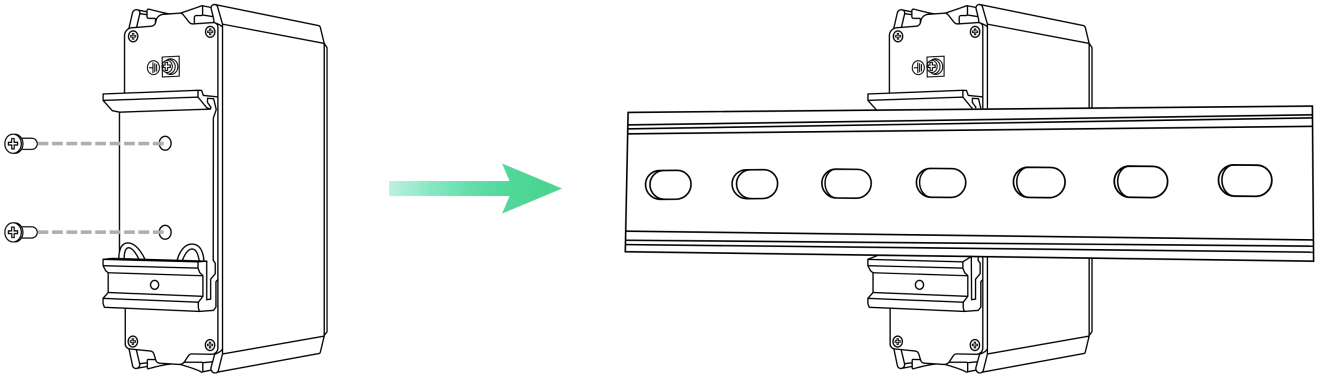
(The 2.78" width includes DIN rail mounting bracket and DC output port;
The 4.45" length includes the wall-mount brackets.)

Weight: 99g (0.218 lb)

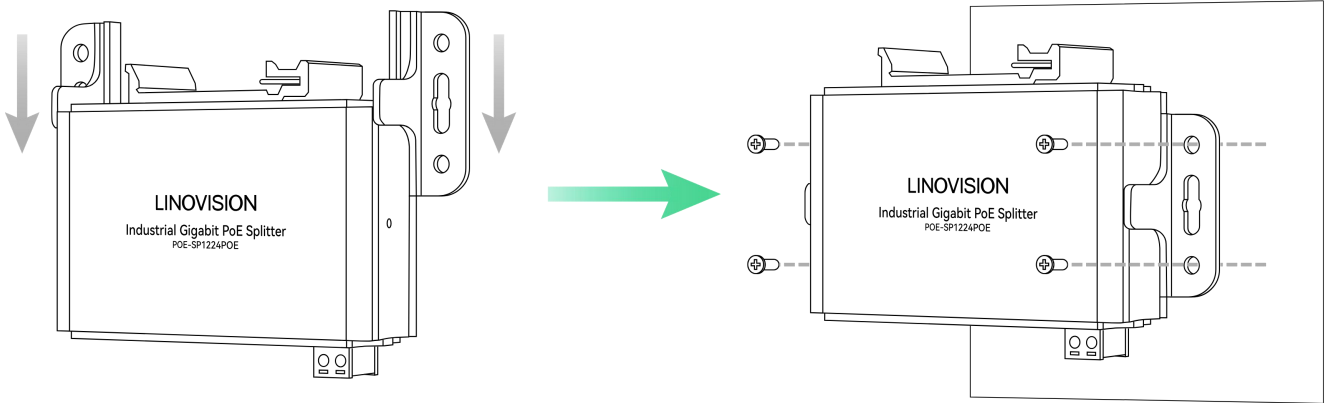
Connection Diagram



Installation



DIN-rail Installation



Wall-mount Installation

**Disclaimer: Technical specifications may subject to change without prior notice*

Package Contents



POE-SP1224POE



Terminal to DC 5521
Female Cable
(Cable length: 260 mm)



DIN-rail Mount Kit



Wall-mount Accessory



User Manual