

POE-SW305WP

Outdoor Passthrough PoE Switch



Outstanding Features

- **ALL-IN-ONE OUTDOOR ENCLOSURE:** The one-piece molded shell is crafted from an extraordinarily tough ABS high-polymer alloy material, boasting an IP55 waterproof rating that makes it ideal for the various harsh outdoor environments.
- **PASSTHROUGH POE SWITCH:** Powered by PoE Switch or PoE Injector, passes PoE power to other PoE devices. No AC power supply required.
- **5 FULL GIGABIT PORTS:** 5 * 10/100/1000Mbps RJ45 ports and 1 * Gigabit SFP port.
- **GREAT COMPATIBILITY:** Compliant with IEEE 802.3af/at/bt PoE Standards, port 1 supports IEEE 802.3bt PoE standard input, and ports 2-5 support IEEE 802.3af/at standard PoE output.
- **OUTDOOR EXTEND PoE and DATA:** Extends PoE and Gigabit Ethernet an additional 330ft(100m).
- **87W TOTAL PoE BUDGET:** Each port up to 30W (IEEE802.3af/at), total 87W PoE power budget.
- **INDUSTRIAL DESIGN:** Support pole mount and wall mount (brackets included). Wide working temperature (-20°C ~ 60 °C or -4°F~140 °F).

Specification

Hardware	
Dimensions (W*D*H)	135 × 45 × 228 mm (5.31 × 1.77 × 8.98 in)
Weight	0.4 kg (0.88 lb)
Installation	Wall mounting / Pole mounting
Protection Level	IP55
Interface	
PoE Ports	4 × 10/100/1000Mbps RJ45 (48V PoE output, PSE, IEEE 802.3af/at)
Uplink Port	1 × 10/100/1000Mbps RJ45 (52V PoE input, PD, IEEE 802.3bt)
SFP Port	1 × 1000Mbps SFP uplink
Performance	
Switching Capacity	20Gbps
Forwarding Rate	11.9Mpps
MAC Address Table	4K
Port Feature	Auto-negotiation supported
Forwarding	Wire-speed forwarding on all ports
Power	
Input Power	DC 48V 1.6A or PoE 52V 1.5A
PoE Input	Port 1: IEEE 802.3bt (PD)
PoE Output	Ports 2–5: IEEE 802.3af/at PoE output, up to 25W per port
Total PoE Budget	87W (DC input) / 60W (PoE input)
Standby Power Consumption	4W
Standards & Protocols	
Standards	IEEE 802.3, IEEE 802.3u, IEEE 802.3ab, IEEE 802.3x
PoE Standards	IEEE 802.3af, IEEE 802.3at, IEEE 802.3bt

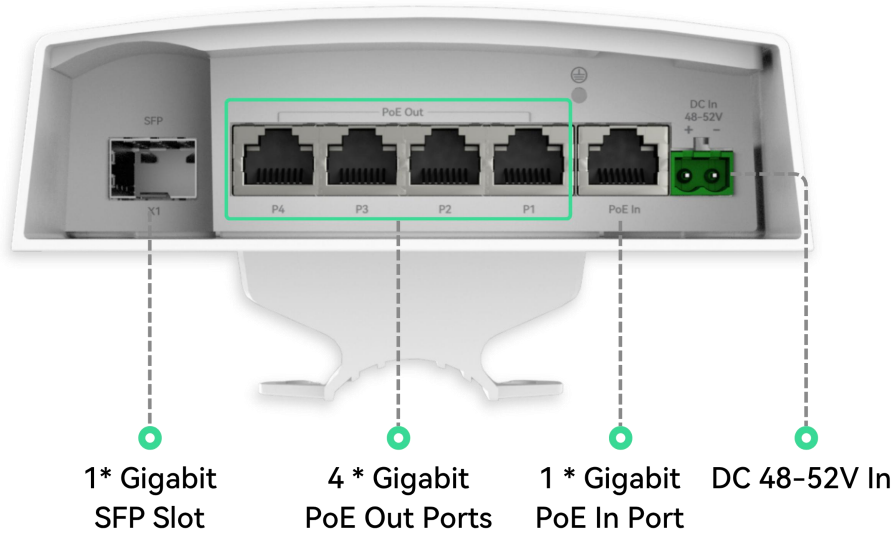
**Disclaimer: Technical specifications may subject to change without prior notice*

Environmental

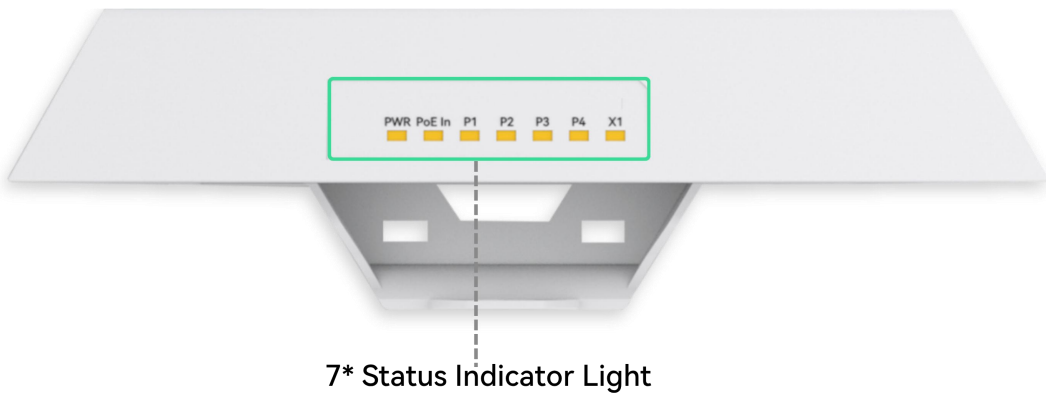
Operating Temperature	-20°C ~ 60°C (-4°F ~ 140°F)
Storage Temperature	-50°C ~ 80°C (-58°F ~ 176°F)
Operating Humidity	≤10% ~ 90% (non-condensing)
Storage Humidity	≤5% ~ 90% (non-condensing)

Interface

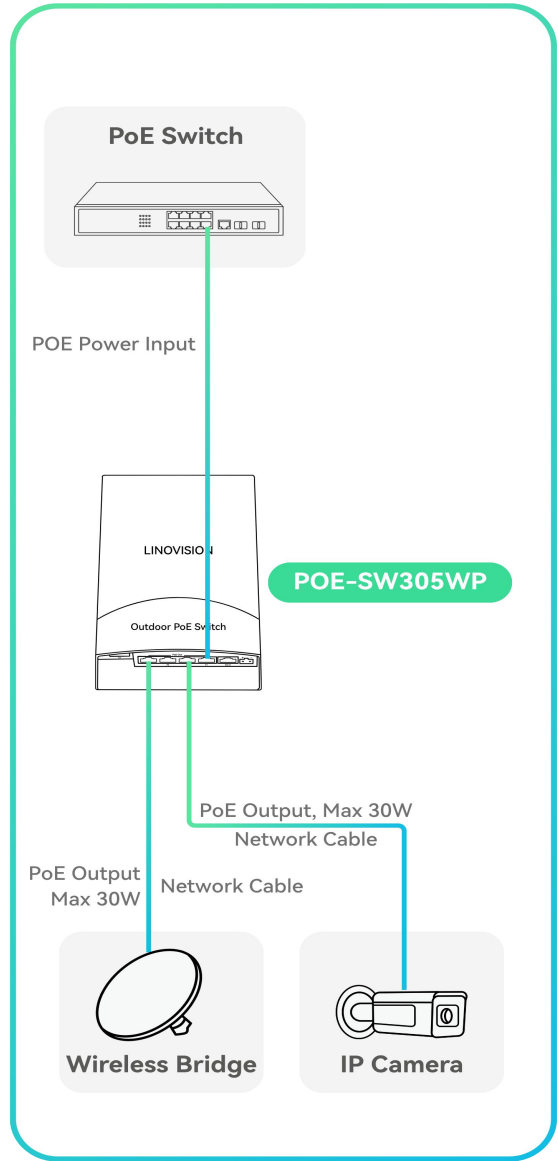
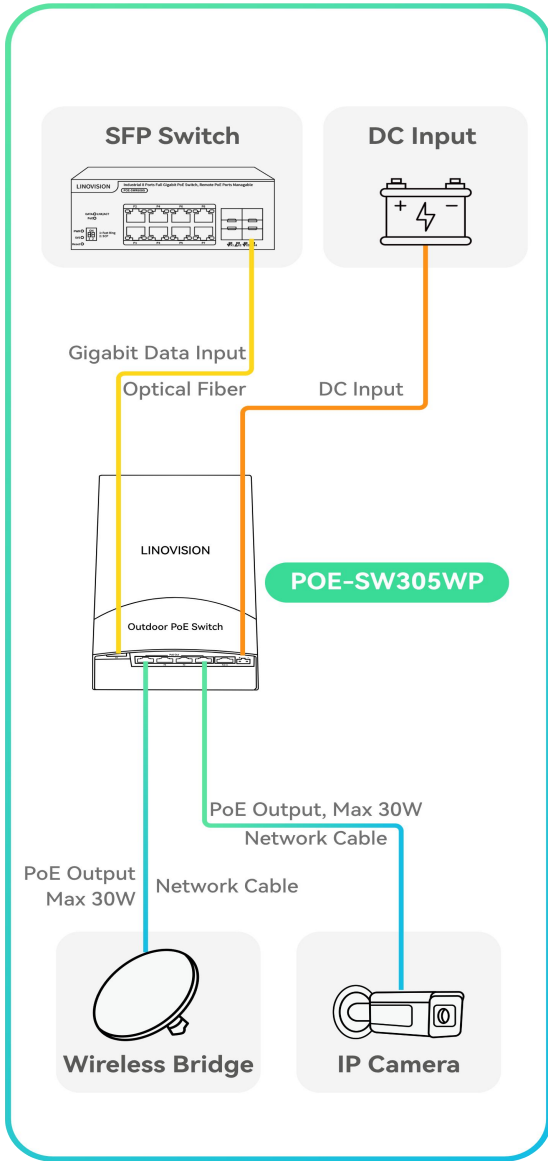
Front View



Left View



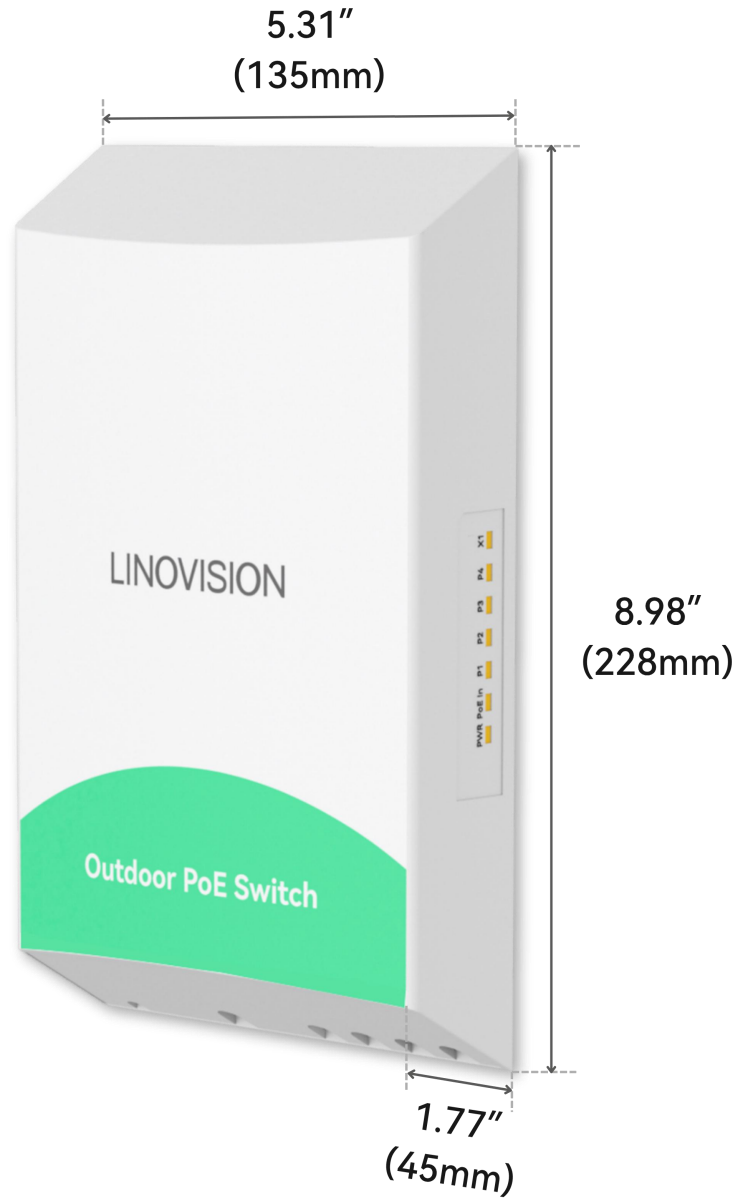
Connection Diagram



**Disclaimer: Technical specifications may subject to change without prior notice*

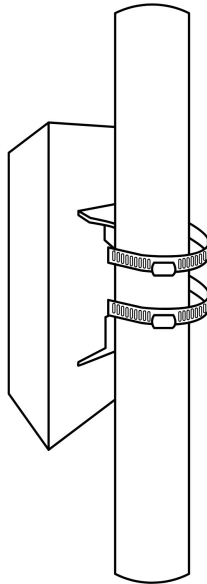
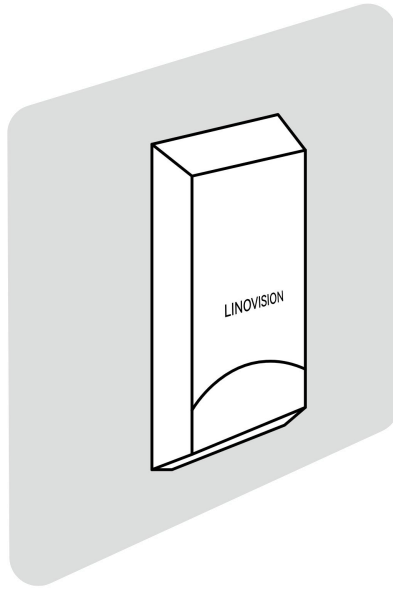
LINOVISION

Dimension



Weight:0.4 kg (0.88 lb)

Installation



Wall Mounting & Pole-Mounting

Package



POE-SW305WP



Terminal



Metal Straps



Wall-Mounting
Screw Accessories



Quick Guide