

## POE-SW501GDF-10G

Single Port 10Gbps Fiber to PoE Converter, DC 9 to 57V Input



POE-SW501GDF-10G is an Industrial Optical-Electrical media Converter with PoE output. It offers 1 10Gbps SFP port and 1 100M/1G/2.5G/5G/10Gbps RJ45 port with auto MDI / MDI-X function and 30W PoE+. It can convert Optical Ethernet into Electrical Ethernet with PoE. It is an Industrial grade product with an operating temperature range of  $-40^{\circ}\text{F}$  to  $167^{\circ}\text{F}$  ( $-40^{\circ}\text{C}$  to  $75^{\circ}\text{C}$ ). This media converter is ideal for applications requiring reliable and efficient network extension over both electrical and optical interfaces.

### Outstanding Features

- **Fiber Optic To PoE Converter:** Support conversion between optical fiber and copper, featuring a 10GBASE-X SFP+ interface.
- **10 Gigabit Ethernet Port:** Provide an IEEE802.3af/at 30W RJ45 interface with uplink speeds of 100M/1G/2.5G/5G/10Gbps. Achieve 10Gbps speed using Cat6a/Cat7 cables(up to 50m).
- **Versatile SFP Compatibility:** Support single-mode and multi-mode SFPs with single-fiber and dual-fiber options, offering transmission ranges up to 300m (multi-mode) and 100km (single-mode).Support seamless, versatile, and efficient network integration.
- **Redundant Power Supply:** Support 2 channel DC48V-57V redundant power inputs and auto failover, ensuring high reliability networking system.
- **Industrial Design:** Encased in an IP40-rated metal housing, this media converter offers a wide operating temperature range ( $-40^{\circ}\text{F}$  to  $+185^{\circ}\text{F}$  /  $-40^{\circ}\text{C}$  to  $+85^{\circ}\text{C}$ ) and 6KV surge protection, with support for both DIN-rail and wall mounting.

## Specification

<b>POE-SW501GDF-10G</b>	
<b>Mechanical</b>	
Dimensions (W*H*D)	3.74×2.75×1.14"(95×70×29mm)
Input Power	48 to 57V DC (4-pin Terminal Block)
Weight	0.452lb(205g)
Material	Aluminum
Installation	DIN-rail Installation; Wall-mounted Installation
<b>Interface</b>	
Connector	1* 100/1G/2.5G/5G/10Gbps PoE RJ45 Port
Optical Port	1* 10Gbps SFP+ Port
<b>Ethernet</b>	
Processing Type	Store-and-Forward
Switching capacity	20Gbps
PoE Standard	IEEE802.3 af/at
PoE Budget	30W(Power adapter is not included)
Address Table Size	9K MAC Addresses
<b>Environmental</b>	
Operating Temperature	-40°F to 167°F(-40°C to 75°C)
Storage Temperature	-40°F to 185°F(-40°C to 85°C)
Operating Humidity	5% to 95% non-condensing
MTBF	> 200,000 hrs
<b>DIP Switch</b>	
The dip switch is a reserved design and has no function yet.	

## Package Contents



POE-SW501GDF-10G



DIN-Rail Mounting Accessory

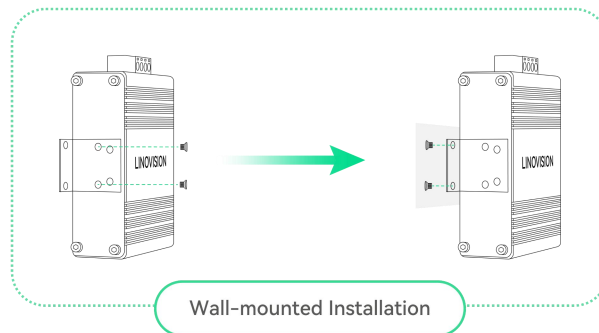
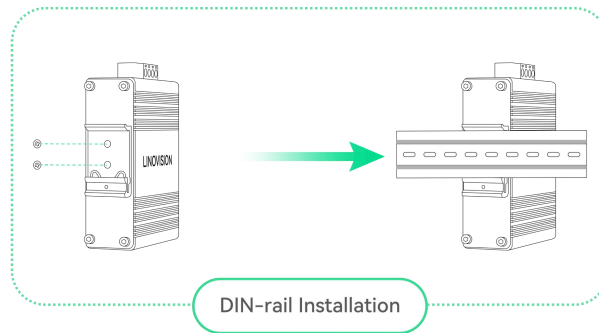


Wall Mounting Accessory



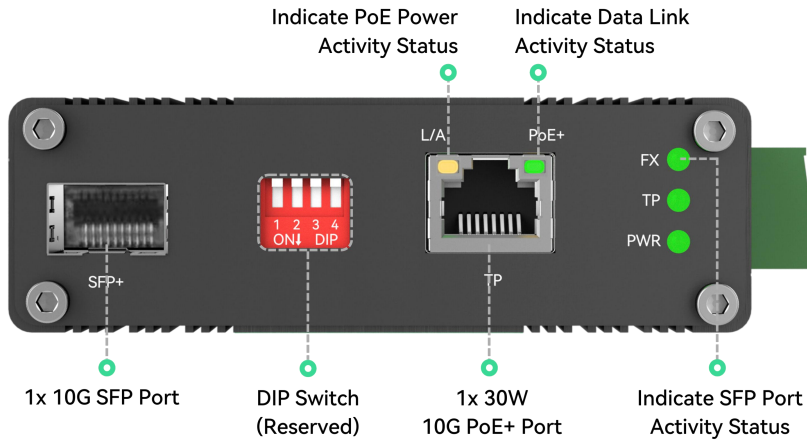
User Manual

## Installation

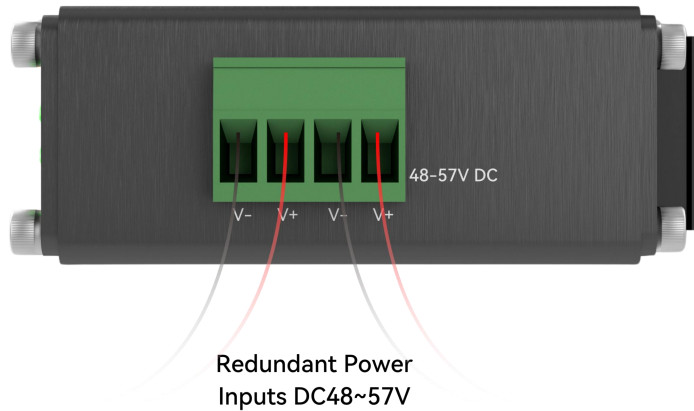


## Interface

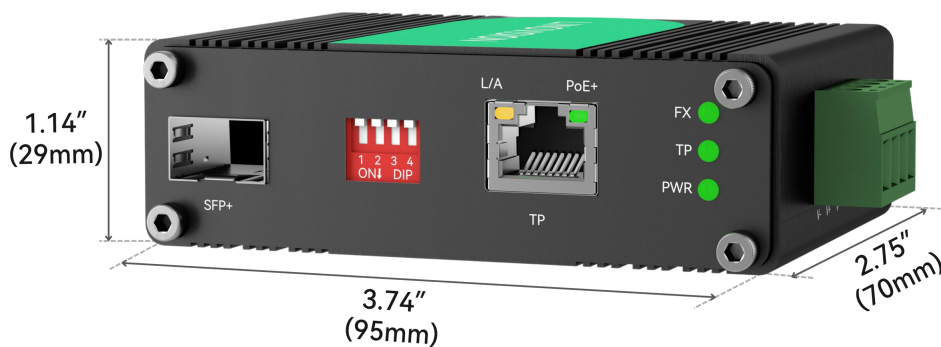
### Front View



### Side View



## Dimension



Weight:205g (0.452 lb)

**Disclaimer:** Technical specifications may subject to change without prior notice.