

## POE-SW716GM-10G V2

Industrial 16-Port Full Gigabit L3 Managed BT90W PoE++ Switch with 4-Port 10G SFP+ Uplink, Total 370W PoE Budget



### Outstanding Features

#### L2/L3 MANAGED

- Supports Comprehensive Routing Protocol(RIP, OSPF, BGP4, ECMP and VRRP).
- Supports VLAN, ERPS, STP/RSTP/MSTP, Link aggregation, IGMP snooping, port mirroring, QinQ.
- Management via WEB, CLI, or SNMP.

#### Powerful Physical Interface

- Total 370W power with 4\* 90W PoE++ and 12\* 30W PoE+ ports.
- 4\* 10G SFP+ uplinks and 16\* Gigabit PoE ports.

#### Reliability

- Redundant DC inputs (12-57V): 12-48V for non-PoE mode, 48-57V for PoE mode.
- Relay Alarm for Switch Power Failure.
- Fast Ring with  $\leq 20$ ms self-healing.

#### Industrial Design

- IP40 Metal shell & fanless design. Support DIN-rail installation.
- Wide working temperature  $-40^{\circ}\text{F}$  to  $+158^{\circ}\text{F}$  ( $-40^{\circ}\text{C}$  to  $70^{\circ}\text{C}$ ).
- 6KV surge immunity and 8KV ESD protection.

## Hardware Specifications

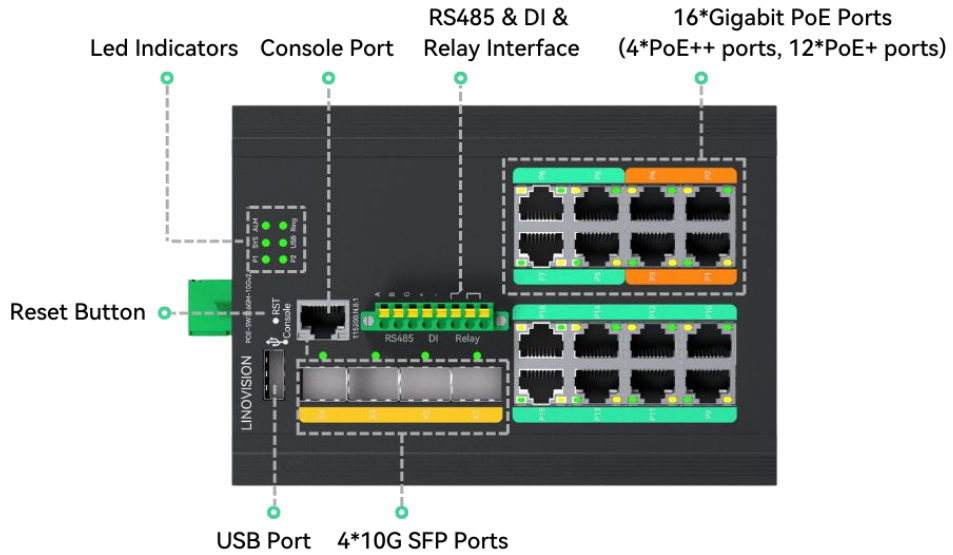
Mechanical Specs	
Dimensions (W*H*D)	4.33×6.22×4.53"(110x158x115mm)
Weight	3.75lb(1.7kg)
Protection Rating	IP40
Material	metal
Installation	DIN-rail
Interfaces	
Power Supply	Redundant Power Input No-POE: 12-57V DC POE: 44-57V DC
Ethernet Port	4* 10/100/1000Base-T PoE++ RJ-45(Auto-MDI/MDI-X) 12* 10/100/1000Base-T PoE+ RJ-45(Auto-MDI/MDI-X) 4* 1G/2.5G/10G SFP+ Slots
Management port	1* RJ45 Console Port, 1* USB2.0 for configuration and firmware update
Data & Alarm channel	1 channel RS485 1 channel DI(digital input) 1 channel DO(digital output)
LED Indicator	P1/P2: The device power on is normal
	S: Device on normal operation
	USB: USB drive is detected
	ALM: Fault alarm
Reset Button	Ring: Ring network enable Pinhole reset button
Standard	IEEE 802.3, IEEE 802.3u, IEEE 802.3ab, IEEE 802.3z, IEEE 802.3ae, IEEE 802.3x, IEEE 802.1D, IEEE 802.1w, IEEE 802.1Q, ITU-T G.8032, IEEE 802.1X, IEEE 802.1ab, IEEE 802.3ad, IEEE 802.3af, IEEE 802.3at, IEEE 802.3bt
POE	
Power Consumption	370W
PoE Outputs	Port 1-4: IEEE 802.3bt PoE++ 90W (Pin 1/2/4/5+, 3/6/7/8-) Port 5-16: IEEE 802.3af/at PoE 30W (Pin 1/2+, 3/6-)
Switching Features	
Switching Capacity	112Gbps
Packet Forwarding Rate	166.656Mpps
MAC Address Table	16K
Packet Buffer	12Mbit
Jumbo Frame	10KBytes
VLAN	4K
Watchdog	Support
Environment	
Operating Temperature	-40°F to 158°F(-40°C to 70°C)
Storage Temperature	-40°F to 185°F(-40°C to 85°C)
Operating Humidity	10% to 90% non-condensing
Storage Humidity	5% to 95% non-condensing
Surge Protection	Differential mode ±4KV, Common mode ±6KV
Electrostatic Standard	Contact ±8KV, Air ±15KV
MTBF	>100,000 hours
Certification	CCC/CE/UKCA/RoHS/REACH/FCC

## Software Specifications

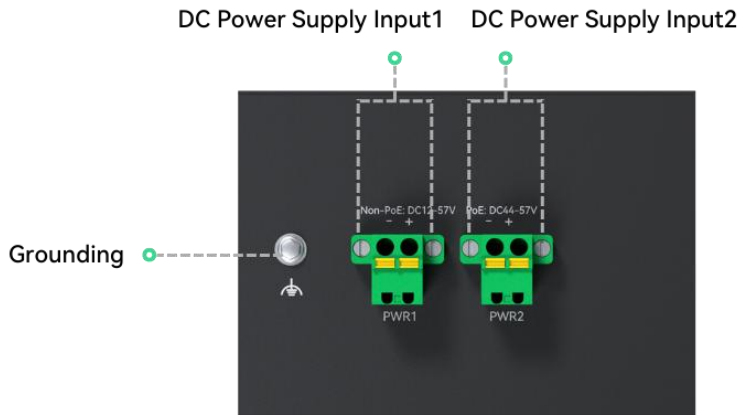
L3 Features	
DHCP	DHCP Server
	DHCP Client
	DHCP Snooping
Route	IPV4/IPV6 Static Routing
	ECMP (Equal-Cost Multipath Routing)
	RIPv1/v2
	OSPFv2
	BGP4
	IS-ISv4
	VRRP (Virtual Router Redundancy Protocol)
L2 Features	
VLAN	802.1Q tag-based VLAN
	Port-based VLAN
	MAC-based VLAN
	Protocol-based VLAN
	IP-based VLAN
	Port-based QinQ/Vlan-based QinQ
	GVRP
Port Aggregation	IEEE 802.3ad Link Aggregation Control Protocol
	Static Aggregation
Loop Protection	STP/RSTP/MSTP
	ERPS
IGMP	IGMP Snooping
LLDP	LLDP (Link Layer Discovery Protocol)
QoS	
Class of Services	Policy-based QoS
Scheduling	SP/WRR Queue Scheduling Algorithm
Bandwidth Management	Ingress/Egress Port-based Rate-limit
Security	
ACL	IP-based ACL
	MAC-based ACL
	User defined ACL
IEEE 802.1X	Port access control
	Mac-address access control
	RADIUS server
IP source guard	IP Port/MAC binding
ARP-check	ARP-check and ARP packet filtering for illegal users
Access control	Telnet/SSH/HTTP/HTTPS user access control
Management	
Web GUI	Easy Browser-based Device Configuration, HTTP/HTTPS
SNMP	SNMP V1/V2c/V3
CLI management	Console/Telnet command line management
File Management	HTTP/FTP/TFTP

## Interface

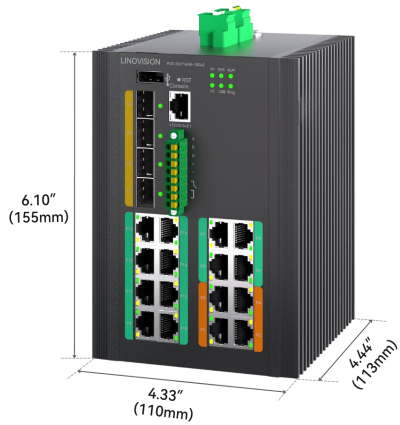
### Front View



### Side View

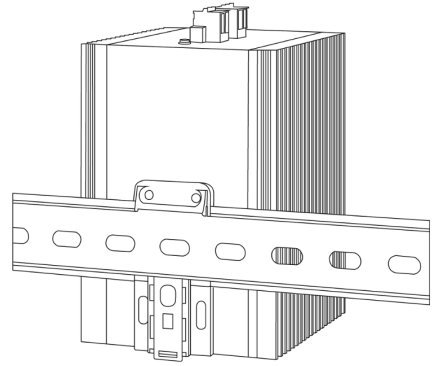


## Dimension



Weight: 3.74 lb (1.7kg)

## Installation

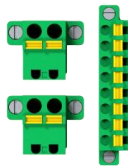


DIN-rail Installation

## Package Contents



POE-SW716GM-10G V2



Terminal



Din Rail



User Manual

*\*Disclaimer: Technical specifications may subject to change without prior notice*