

POE-SWR608G

Industrial 8 Ports Full Gigabit PoE Switch 4 SFP Uplinks, Support Remote PoE Ports Management



Outstanding Features

- **REMOTE CLOUD MANAGED PoE SWITCH:** PoE port support Remote Cloud Managed, Such as PoE Port On/Off Control, Port Speed Limit, PoE Power Control and Port Priority. VLAN, QoS and ONVIF device discovery can be managed via WEB
- **FULL GIGABIT POE SWITCH:** Providing 8*10/100/1000Base-T Ethernet PoE ports and 4*1000Base-X SFP Ports
- **180W TOTAL POWER:** Each port up to 30W (IEEE802.3af/at), total 180W PoE power
- One-Key FAST RING and SCP - Support One-Key Fast Ring Fiber Network and Broadcast Storms Protection
- **REDUNDANT POWER SUPPLY:** Support 2 channel DC48-57V redundant power inputs. Supports POE Mode A output
- **INDUSTRIAL DESIGN:** Metal Shell design ensure better heat dissipation. Support DIN rail mount. Wide working temperature (-20°C ~ 60 °C or -4°F~140 °F) and 6KV surge protection.
- Can be powered with any DC48V-57V power source. Model we offer for separate purchase is NDR-240-48 with POE budget of 240w or PWR-48V25A with 120w POE budget instead of 240w.

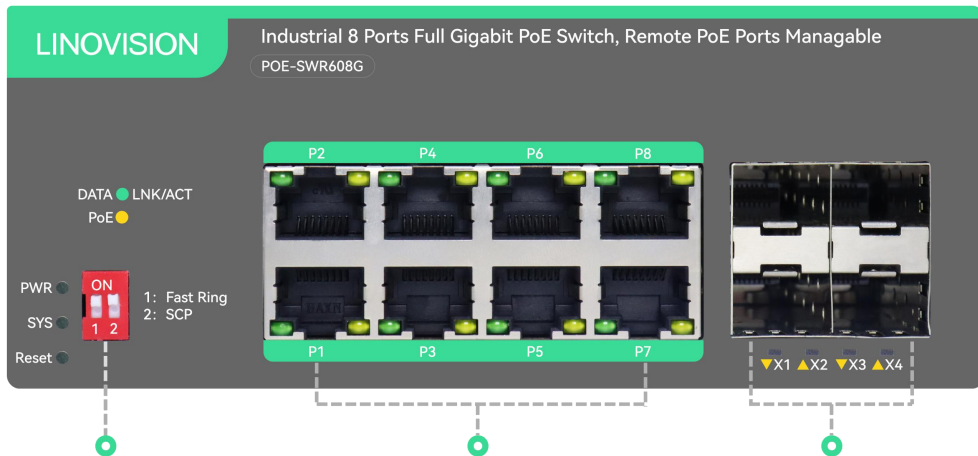
Specification

Model	POE-SWR608G
Standard	IEEE802.3,IEEE802.3u,IEEE802.3ab,IEEE802.3z,IEEE802.3x,IEEE802.1q,IEEE802.1p,IEEE802.3af,IEEE802.3at
Network Media(Cable)	10BASE-T: UTP category 3,4,5 cable (≤100m) 100BASE-TX: UTP category 5, 5e cable (≤100m) 1000BASE-X: UTP category 5e, 6 cable (≤100m) 1000BASE-X: MMF, SMF
MAC Address Table	8K, Auto-learning, Auto-updating
Jumbo Frame	10KByte
Packet Buffer	4.1Mbit
Transfer Mode	Store-and-Forward
Packet Forward Speed	17.86Mpps
Switching Capacity	24Gbps
PoE Standard	IEEE802.3af/at
PoE Port	Port1~8
PoE Power On RJ45	1/2(+),3/6(-)
PoE Output	30W(Max)
PoE Power Budget	180W
Power Supply	200W
Input Power Supply	DC:48-57V
Dimensions (L*W*H)	145*109*58mm (5.71*4.29*2.28 in)
Operating Temperature	-20°C ~ 60°C
Storage Temperature	-40°C ~ 80°C
Operating Humidity	5% ~ 95% non-condensing
Storage Humidity	0% ~ 95% non-condensing
Surge Protection	Differential mode ±2KV , Common mode ±4KV
Electrostatic Standard	Contact ±6KV , Air ±8KV
MTBF	>50000 hour

**Disclaimer: Technical specifications may subject to change without prior notice*

Interface

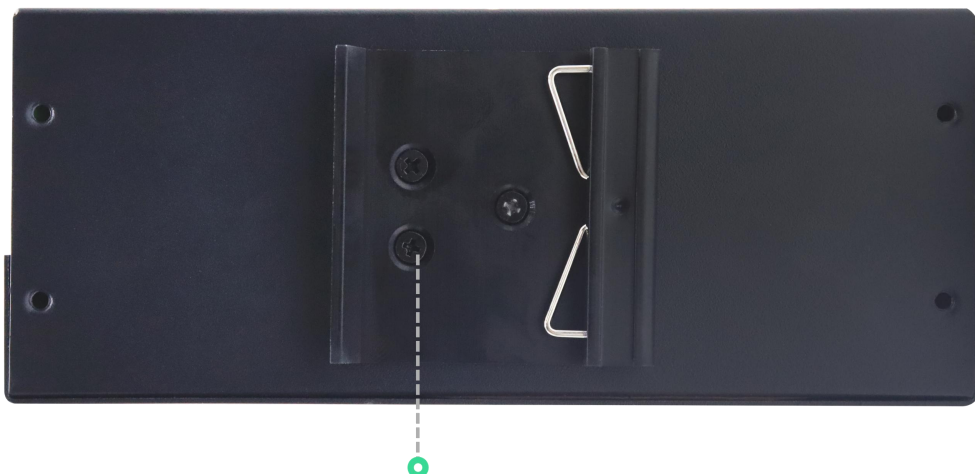
Front View



DIP Switch 1: Fast Ring
DIP Switch 2: SCP
(Broadcast storm suppression)

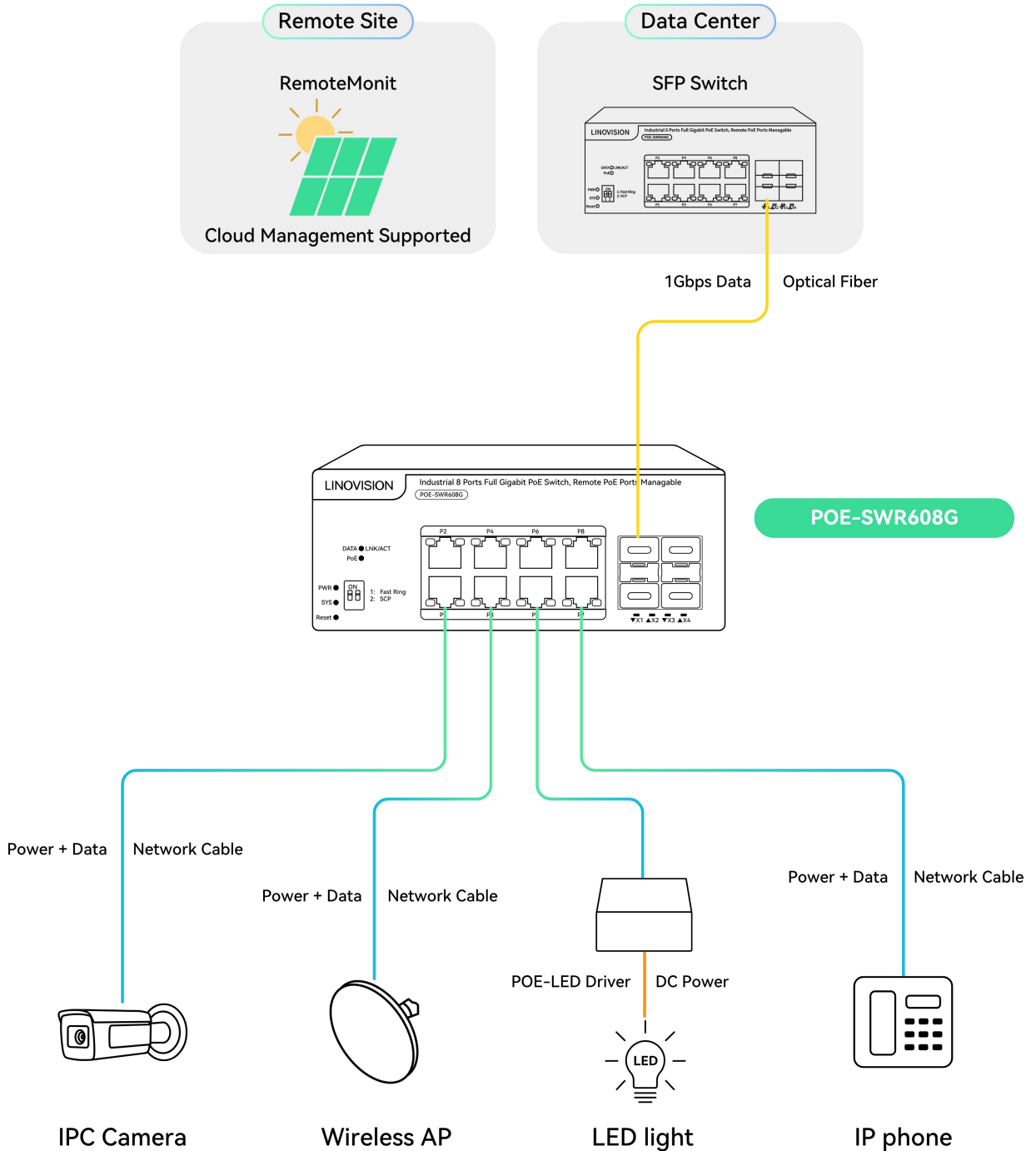
Total PoE Budget 180W

Back View



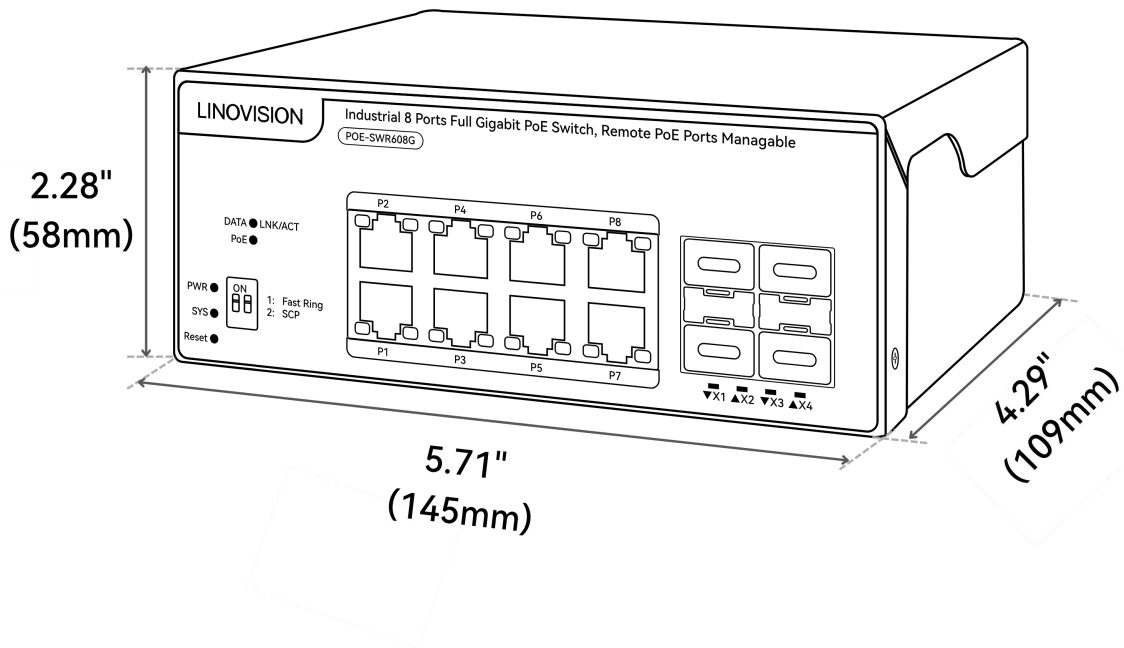
**Disclaimer: Technical specifications may subject to change without prior notice*

Connection Diagram



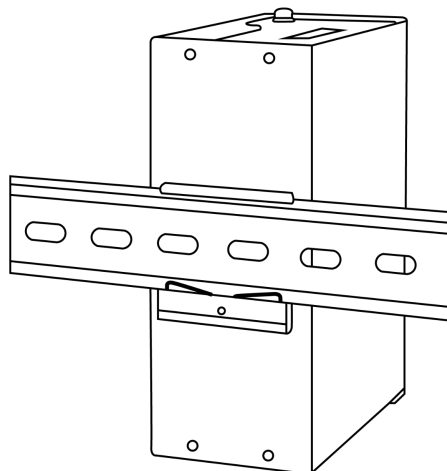
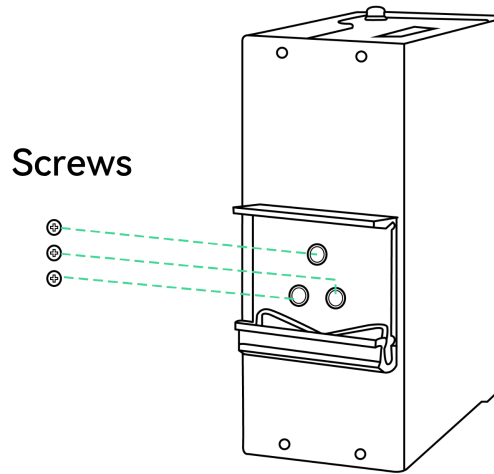
**Disclaimer: Technical specifications may subject to change without prior notice*

Dimension



Weight: 1.876lb (851g)

Installation



Din Rail Mount

Package



POE-SWR608G



Terminal



Din Rail Mount Accessory



User Manual